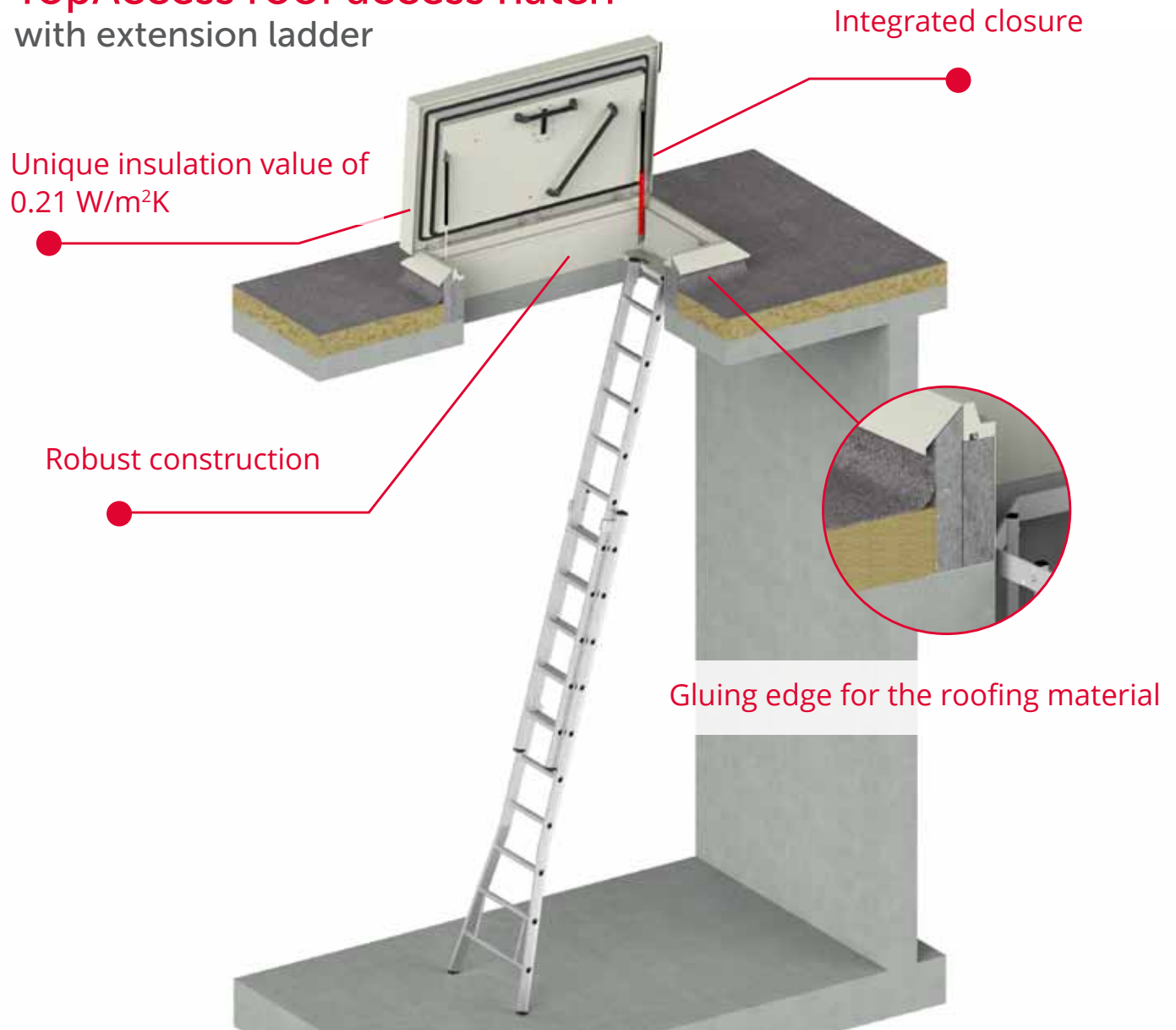


TopAccess roof access hatch with extension ladder



Simple and safe

A roof access hatch with extension ladder offers a simple and safe solution for accessing your roof. If you need to access the roof to perform inspections or repairs, you can hook a separate extension ladder on to the upstand of the roof access hatch. This solution is suitable for heights up to ten metres and can be combined with every type of roof access hatch.

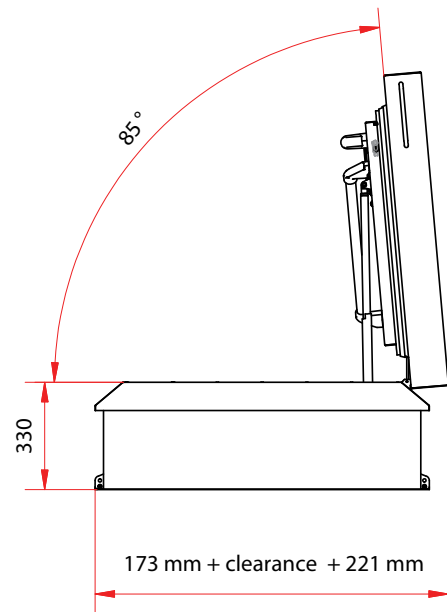
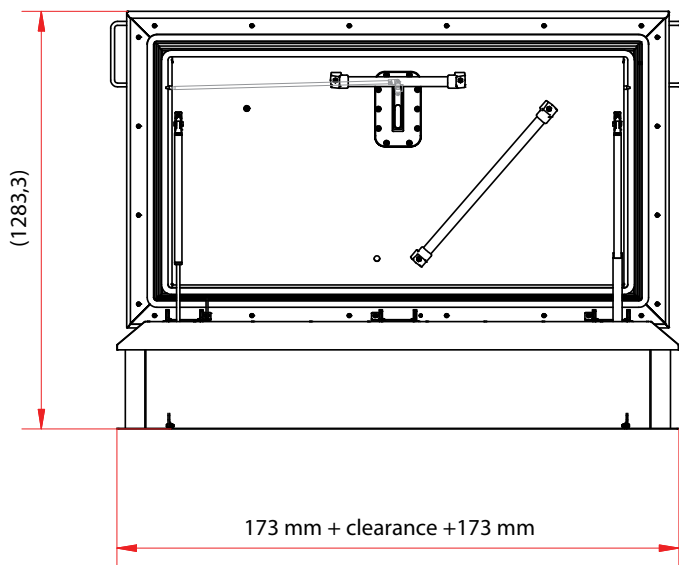
Usage

- Industrial buildings
- Distribution centres
- Apartment blocks

Benefits

- Unique insulation value of 0.21 W/m²K
- For all heights and sizes
- Low purchasing costs

TopAccess roof access hatch with extension ladder



Specifications of roof access hatch

Insulation value of roof access hatch	U= 0.21 W/m ² K in accordance with EN-ISO10077-2	Air permeability	Up to a test pressure of 650 Pa. Pa 0.37 m ³ /h at 10, in accordance with EN 1026
Available clearances	900 x 700 - 900 x 900 - 1400 x 700 - 1500 x 900 - 2400 x 900 mm	Surface treatment	RAL 9010 powder coating, other colours are available on request.
Required roof opening	900 x 700 - 900 x 900 - 1400 x 700 - 1500 x 900 - 2400 x 900 mm	Closure	Two-point closure with europrofile cylinder, including three keys (interchangeable, 30/10 cylinder)
Material	Stainless steel (AISI 304 or equivalent)	Operation	Powerful gas pressure springs ensure that the cover can be easily opened and closed. Automatic locking in open position
Insulation material	Insulation material with an R-value of 7.22 m ² K/W Fitted with a glass fibre protective top layer Suitable for every type of roofing material	Safety	Two handles and diagonal handrail on inside of cover for support while accessing and leaving the roof.
Sound insulation	23 dB in accordance with EN-ISO 10140-1	Options	Electric control
Wind load	2400 Pa in accordance with EN 12211	Application	Maximum pitch of 40 degrees
Watertightness	750 Pa in accordance with EN 12155	Certification	Certified according to the KOMO quality label
Snow load	950 N/m ² in accordance with EN 1991-1-3	Guarantee	Ten years
Impact load	0.35 kNm in accordance with EN 1991-1-1		

Ladder specifications

Quality	Complies with EN 131
Material	High quality lightweight aluminium
Required roof opening	See specifications for roof access hatch
Storey height	Maximum of 10000 mm
Safety	The large width and ergonomic design of the rungs, arranged in a horizontal position during use, ensure your safety and stability.

Designs

Rungs	Length (retracted)	Length (retracted)
2x8	2470 mm	4150 mm
2x10	3030 mm	5250 mm
2x12	3600 mm	6100 mm
2x14	4160 mm	7250 mm
2x16	4720 mm	8350 mm
3x8	2470 mm	5850 mm
3x10	3040 mm	7000 mm
3x12	3600 mm	8650 mm
3x14	4170 mm	10050 mm
3x16	4730 mm	11450 mm

TopAccess roof access hatch with extension ladder

Options



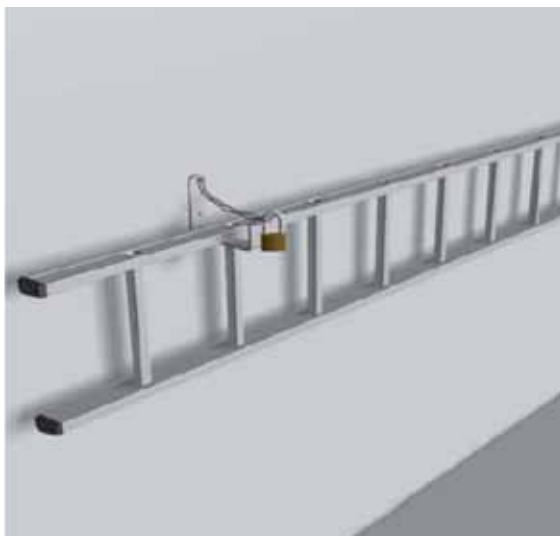
SafeStepSystem

The ladder is fitted with hooks for connecting to a fixed step, which can easily be attached to the upstand of the roof hatch. The anchoring points are already present and the anchoring materials are supplied together with your order.



Security system

The ladder can be secured against theft or removal while in use by means of a lock (incl. key) fitted onto the ladder.



Mounting system

After use, the ladder can be hung against the wall using two wall brackets, with the option of securing the ladder in place with a chain and padlock (incl. keys).