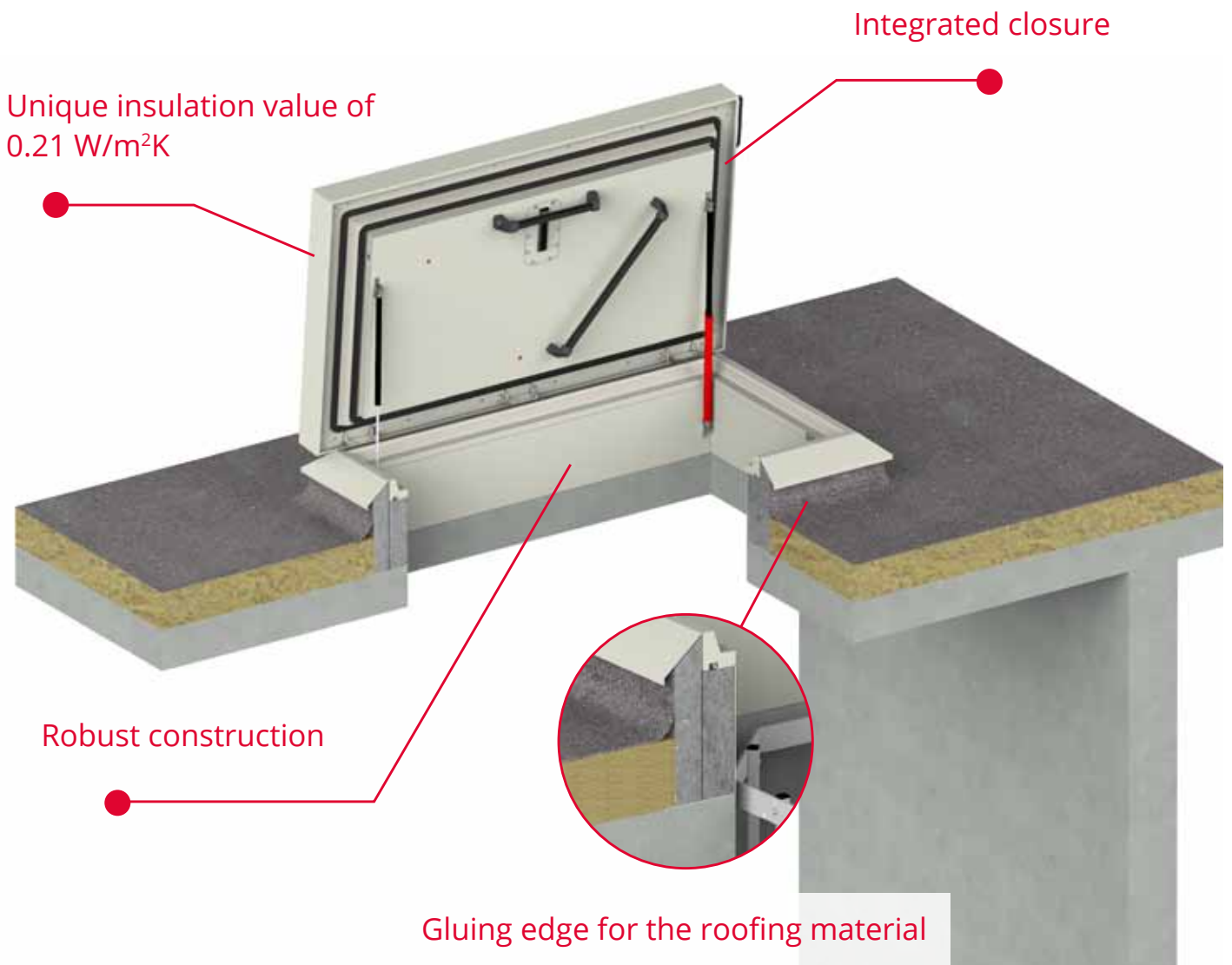


TopAccess roof access hatch



Outstanding safety and insulation

In office buildings and industrial units, you will need a roof access hatch for practicality; from roof inspections to using roof-top equipment. For these jobs, you need quick, safe, and practical access.

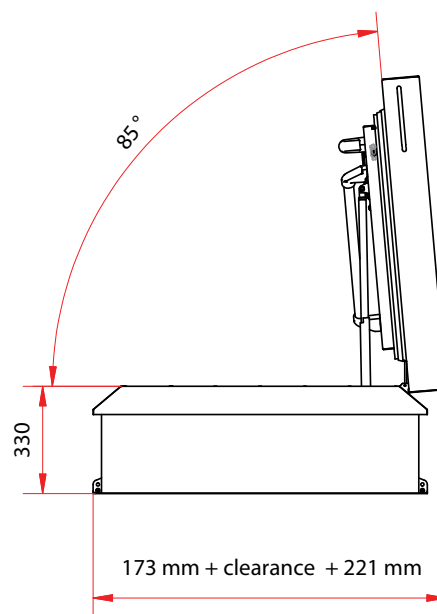
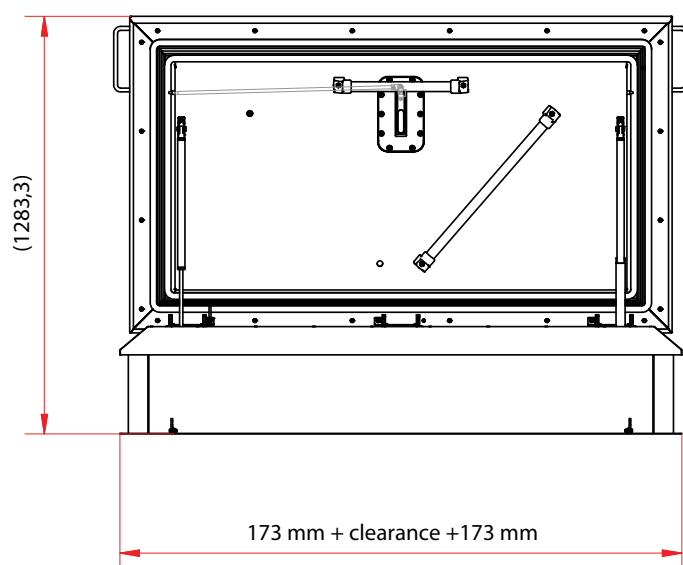
Usage

- Utility building
- Residential construction
- Renovation projects

Benefits

- Unique insulation value of 0.21 W/m²K
- Constructed using high quality materials
- Certified according to the KOMO quality label

TopAccess roof access hatch



Specifications of roof access hatch

| | |
|--|--|
| Insulation value of roof access hatch | U= 0.21 W/m ² K in accordance with EN-ISO10077-2 |
| Available clearances | 900 x 700 – 900 x 900 - 1400 x 700 – 1500 x 900 - 2400 x 900 mm |
| Required roof opening | 900 x 700 – 900 x 900 - 1400 x 700 – 1500 x 900 - 2400 x 900 mm |
| Material | Stainless steel (AISI 304 or equivalent) |
| Insulation material | Insulation material with an R-value of 7.22 m ² K/W Fitted with a glass fibre protective top layer Suitable for every type of roofing material |
| Sound insulation | 23 dB in accordance with EN-ISO 10140-1 |
| Wind load | 2400 Pa in accordance with EN 12211 |
| Watertightness | 750 Pa in accordance with EN 12155 |
| Snow load | 950 N/m ² in accordance with EN 1991-1-3 |
| Impact load | 0.35 kNm in accordance with EN 1991-1-1 |
| Air permeability | Up to a test pressure of 650 Pa. Pa 0.37 m ³ /h at 10, in accordance with EN 1026 |
| Surface treatment | RAL 9010 powder coating, other colours are available on request. |
| Closure | Two-point closure with europrofile cylinder, including three keys (interchangeable, 30/10 cylinder) |
| Operation | Powerful gas pressure springs ensure that the cover can be easily opened and closed. Automatic locking in open position |
| Safety | Two handles and diagonal handrail on inside of cover for support while accessing and leaving the roof. |
| Options | Electric control |
| Application | Maximum pitch of 40 degrees |
| Certification | Certified according to the KOMO quality label |
| Guarantee | Ten years |