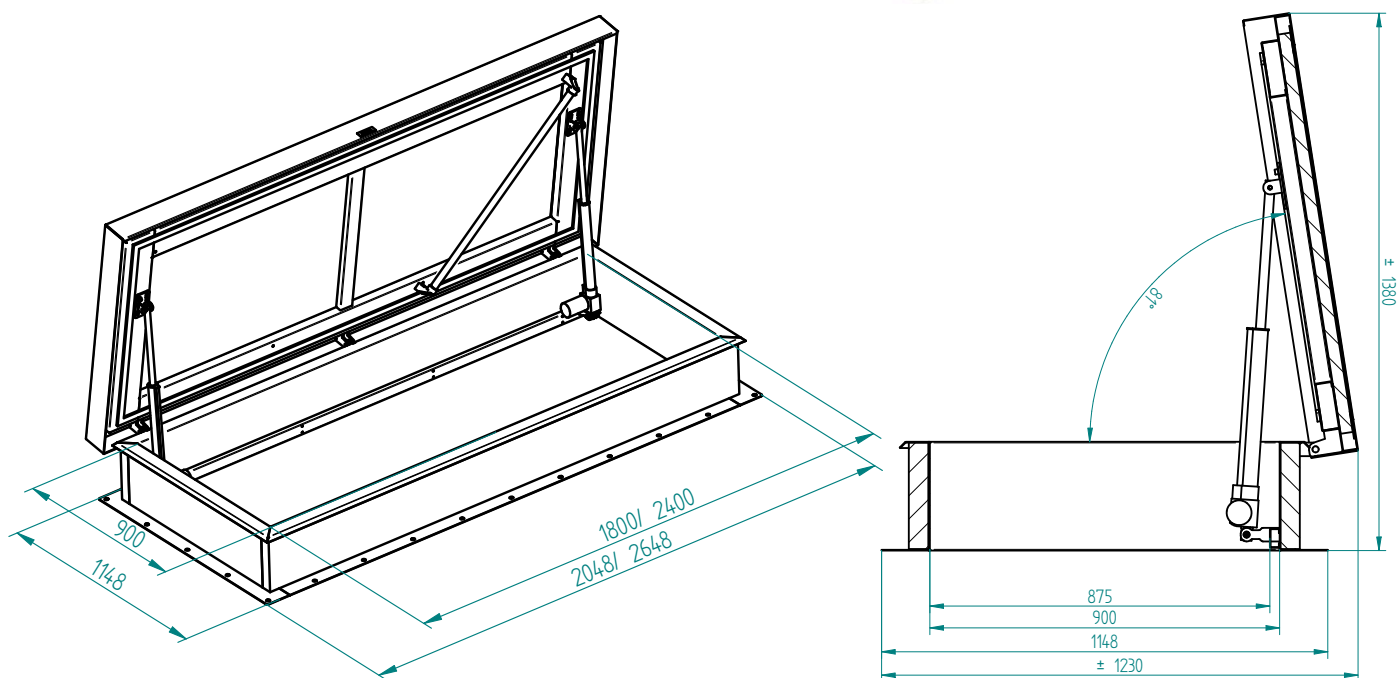
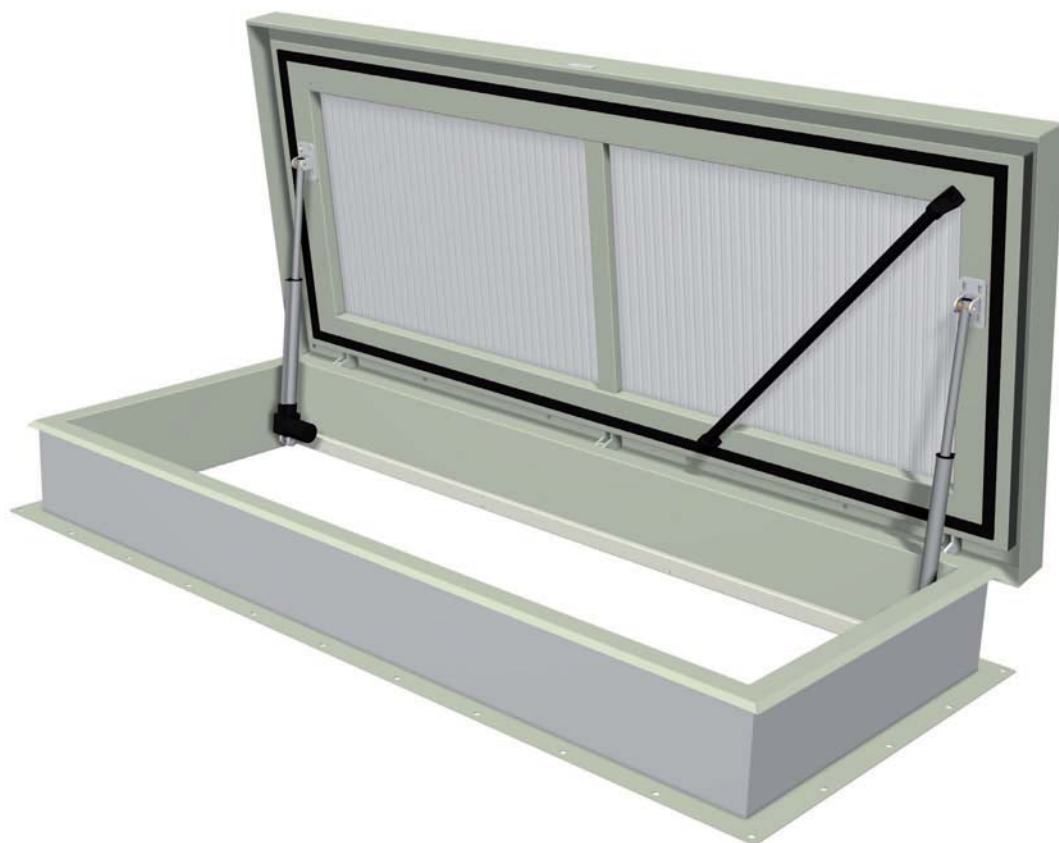


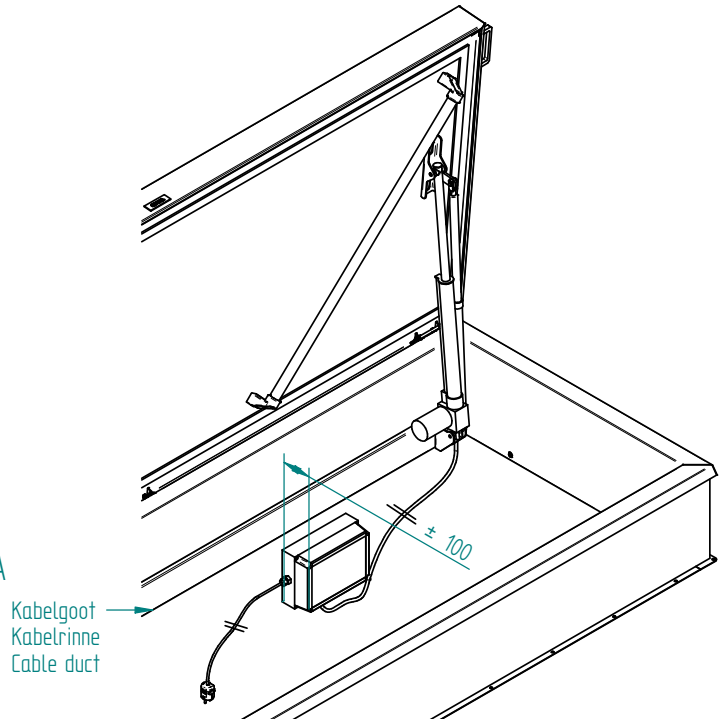
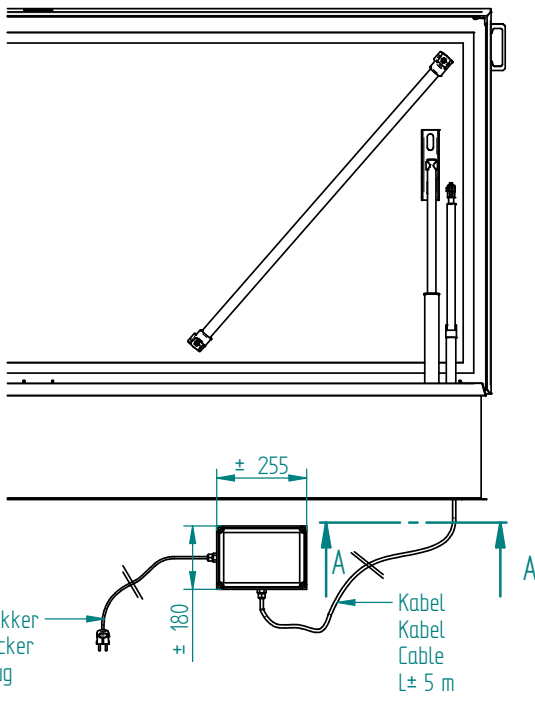
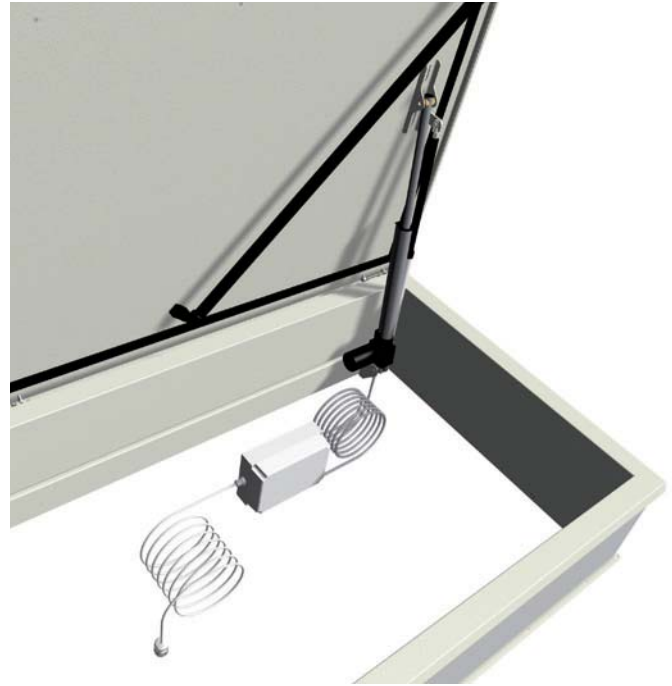
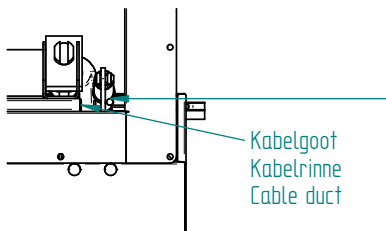
Specifications

- High-quality motors with thermal protection.
- Equipped with emergency power supply.
- Supplied with remote control.
- Can be stopped in any desired position.
- Optional connection to fire alarm system.
- Suitable for all roof hatch models.



Specifications

- High-quality motors with thermal protection.
- Equipped with emergency power supply.
- Supplied with remote control.
- Can be stopped in any desired position.
- Optional connection to fire alarm system.
- Suitable for all roof hatch models.



Specifications

- High-quality motors with thermal protection.
- Equipped with emergency power supply.
- Supplied with remote control.
- Can be stopped in any desired position.
- Optional connection to fire alarm system.
- Suitable for all roof hatch models.