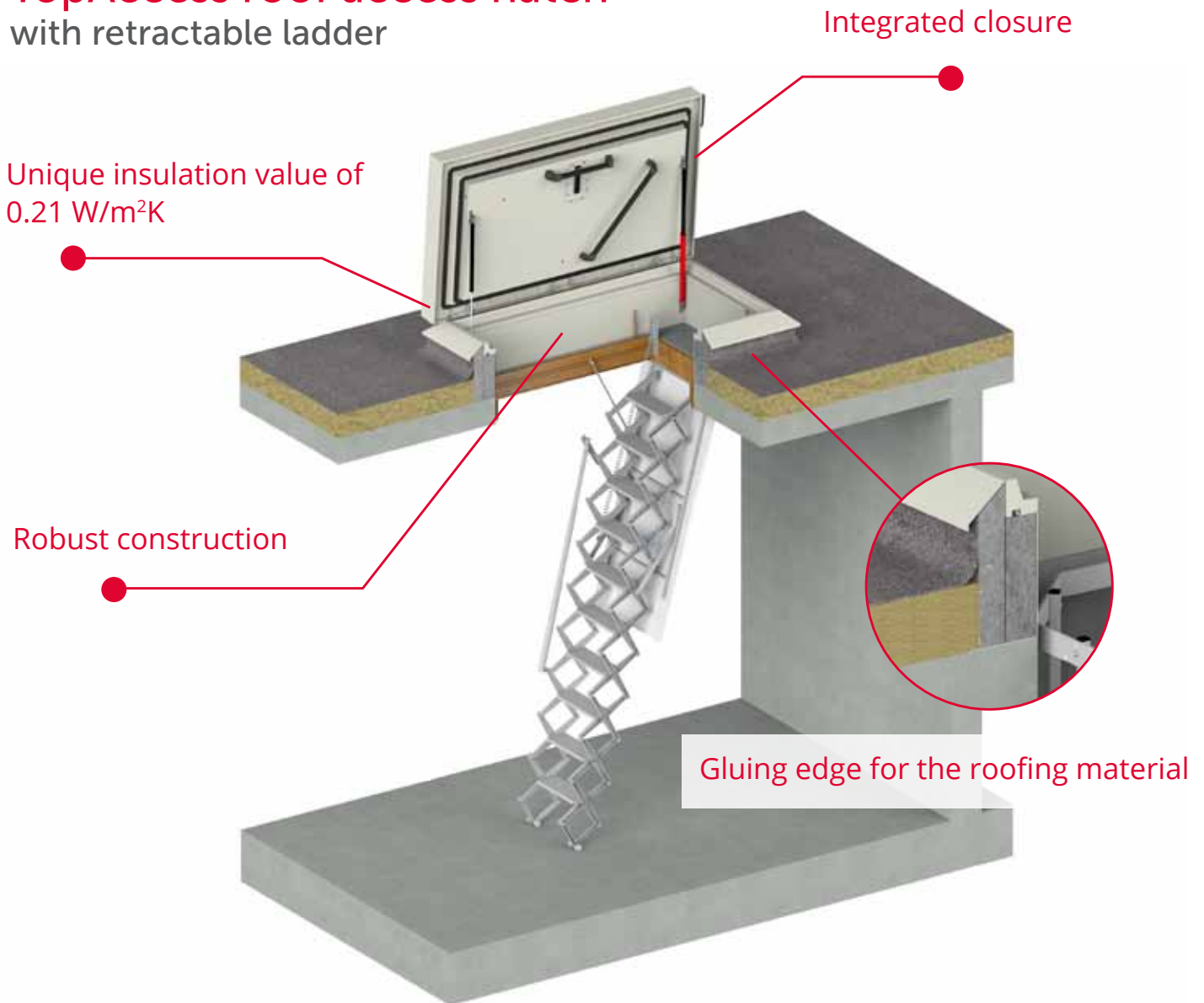


TopAccess roof access hatch with retractable ladder



Safe and practical

A roof access hatch with retractable ladder offers a safe and practical solution for accessing your roof. The roof access hatch with retractable ladder acts as an access point to a flat roof for inspection and maintenance.

The retractable ladders are suitable for a maximum ceiling height of 3250 mm.

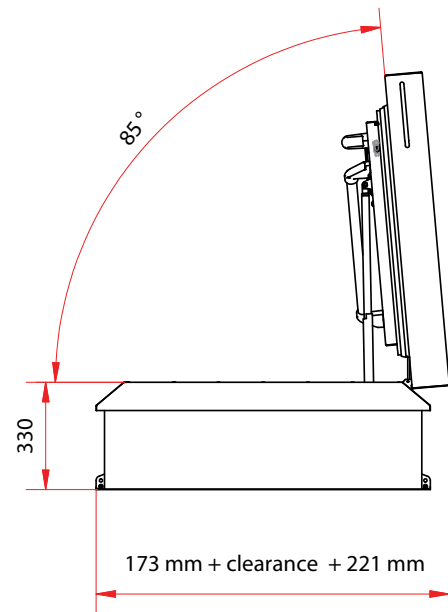
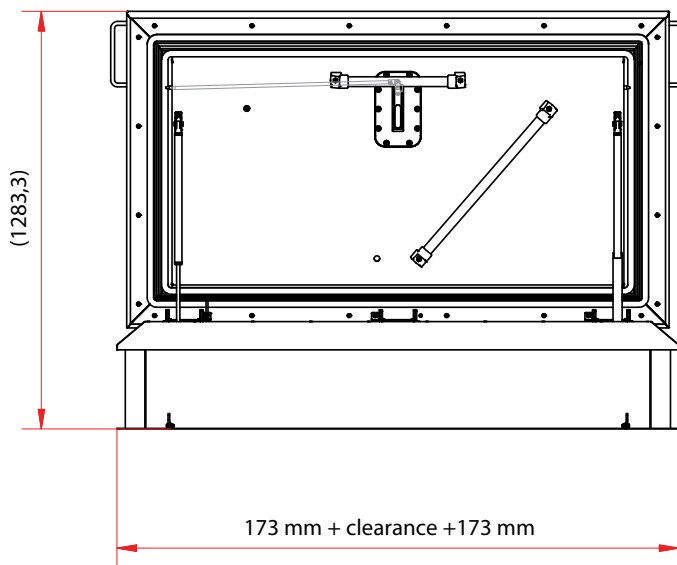
Usage

- Offices
- Apartments
- Schools

Benefits

- Unique insulation value of 0.21 W/m²K
- Ladder is neatly stored away
- Ceiling retains smooth appearance

TopAccess roof access hatch with retractable ladder



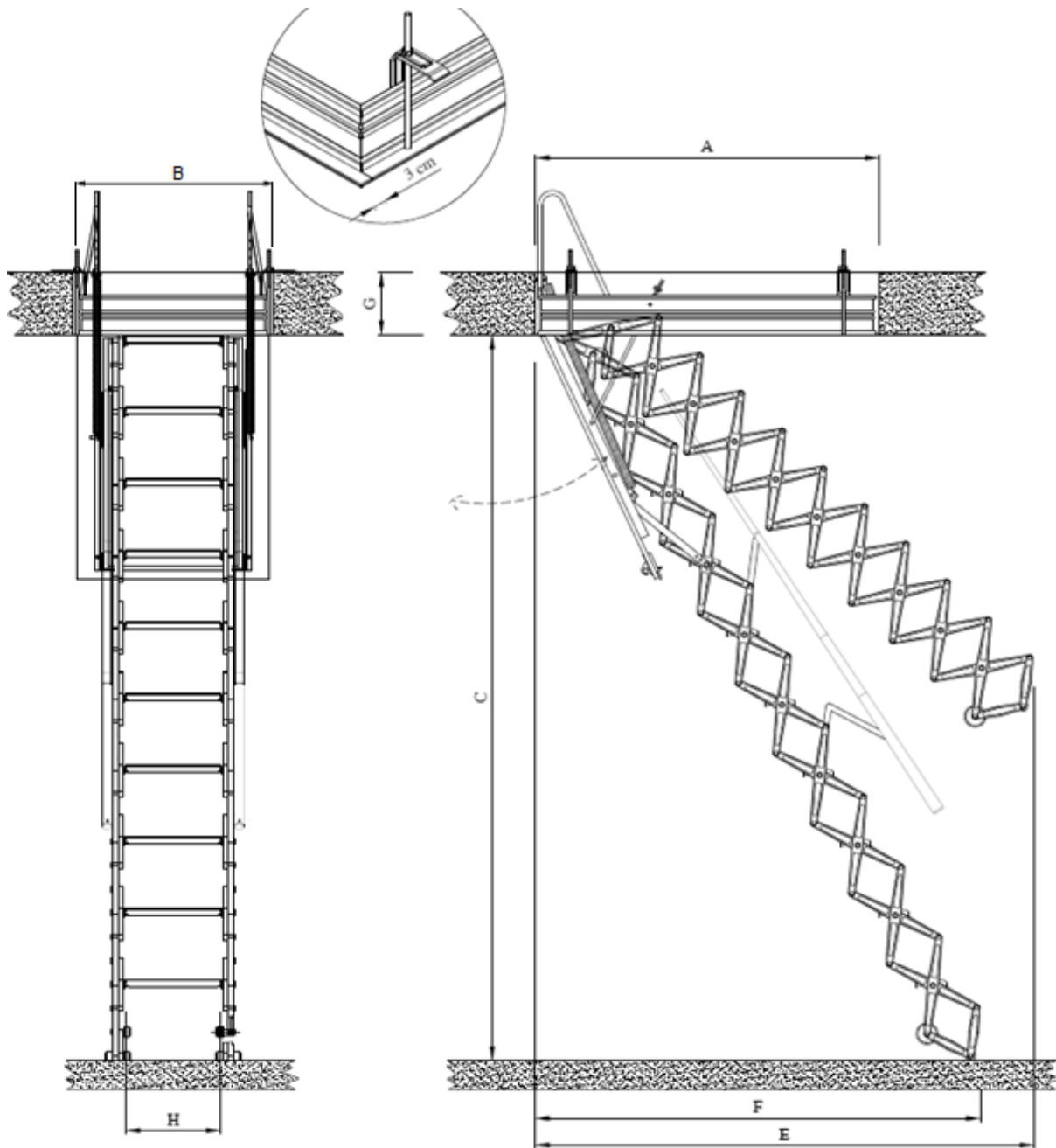
Specifications of roof access hatch

| | | | |
|--|---|--------------------------|---|
| Insulation value of roof access hatch | U= 0.21 W/m ² K in accordance with EN-ISO10077-2 | Air permeability | Up to a test pressure of 650 Pa. Pa 0.37 m ³ /h at 10, in accordance with EN 1026 |
| Available clearances | 900 x 700 – 1400 x 700 – 1500 x 900 mm | Surface treatment | RAL 9010 powder coating, other colours are available on request. |
| Required roof opening | 800 x 700 – 1200 x 700 – 1300 x 900 mm | Closure | Two-point closure with europrofile cylinder, including three keys (interchangeable, 30/10 cylinder) |
| Material | Stainless steel (AISI 304 or equivalent) | Operation | Powerful gas pressure springs ensure that the cover can be easily opened and closed. Automatic locking in open position |
| Insulation material | Insulation material with an R-value of 7.22 m ² K/W Fitted with a glass fibre protective top layer Suitable for every type of roofing material | Safety | Two handles and diagonal handrail on inside of cover for support while accessing and leaving the roof. |
| Sound insulation | 23 dB in accordance with EN-ISO 10140-1 | Options | Electric control |
| Wind load | 2400 Pa in accordance with EN 12211 | Application | Maximum pitch of 40 degrees |
| Watertightness | 750 Pa in accordance with EN 12155 | Certification | Certified according to the KOMO quality label |
| Snow load | 950 N/m ² in accordance with EN 1991-1-3 | Guarantee | Ten years |
| Impact load | 0.35 kNm in accordance with EN 1991-1-1 | | |

Specifications for retractable ladder

| | |
|-------------------------------|---|
| Quality | Conforms with EN 14975 |
| Model | Completely assembled, including ceiling hatch and operating pole |
| Required roof opening | See specifications for roof access hatch. |
| Ceiling height | Maximum 3250 mm |
| Installation | Can be built into roofs with a minimum roof thickness of 250 mm. If the roof is thinner, we recommend mounting the roof access hatch on an architectural upstand. |
| Height of hatch box | 140 mm |
| Ladder steps | Equipped with anti-slip profile (dimensions: 340 x 120 mm) |
| Distance between steps | ± 280 mm, depending on the ceiling height |
| Safety | Equipped with a telescopic handrail for support while accessing the roof. |
| Step materials | Aluminium |
| Ceiling hatch material | Wood, untreated |

Space for retractable ladder



| Roof Hatch | Width step H | Depth step |
|------------|-----------------|------------|
| 900x700 | 340 | 120 |
| 1400x700 | 340 | 120 |
| 1500x900 | 340 | 120 |

| Roof Hatch | Roof opening A+B | Ceiling height C | Air space E | Floor space F | Roof G |
|------------|---------------------|---------------------|----------------|------------------|-----------|
| 900x700 | 800x700 | 2150-3000 | 1700 | 1300 | 250-350 |
| | | 3000-3250 | 1950 | 1500 | 250-350 |
| 1400x700 | 1200x700 | 2150-3000 | 1700 | 1300 | 250-350 |
| | | 3000-3250 | 1950 | 1500 | 250-350 |
| 1500x900 | 1300x900 | 2150-3000 | 1700 | 1300 | 250-350 |
| | | 3000-3250 | 1950 | 1500 | 250-350 |