

### Material

Stainless steel (AISI 304 or equivalent).

### Dimensions

900 x 700 mm clear width  
Longest side = hinged side  
Upstand: 330 mm

### Insulation

Hard foam approx. 50 mm thick along the outside of the upright edge and approx. 80 mm thick in the cover itself.

### Rc value insulation

Inside cover  $R_c = 3.81$  ( $m^2K/W$ )

### Closure mechanism

Two-point closing mechanism with euro cylinder lock and three keys.

### Gas springs

Make it easy to open and close the hatch cover and automatically secure the hatch when open.

### Windproof and waterproof

EN 1026 / EN 12155: 650 Pa  
With neoprene rubber between the upright edge and cover.

### Maximum load

Up to approx. 2,000 kg/m<sup>2</sup>

### Safety features

Three handles and diagonal railing on inside of cover.

### Structural strength

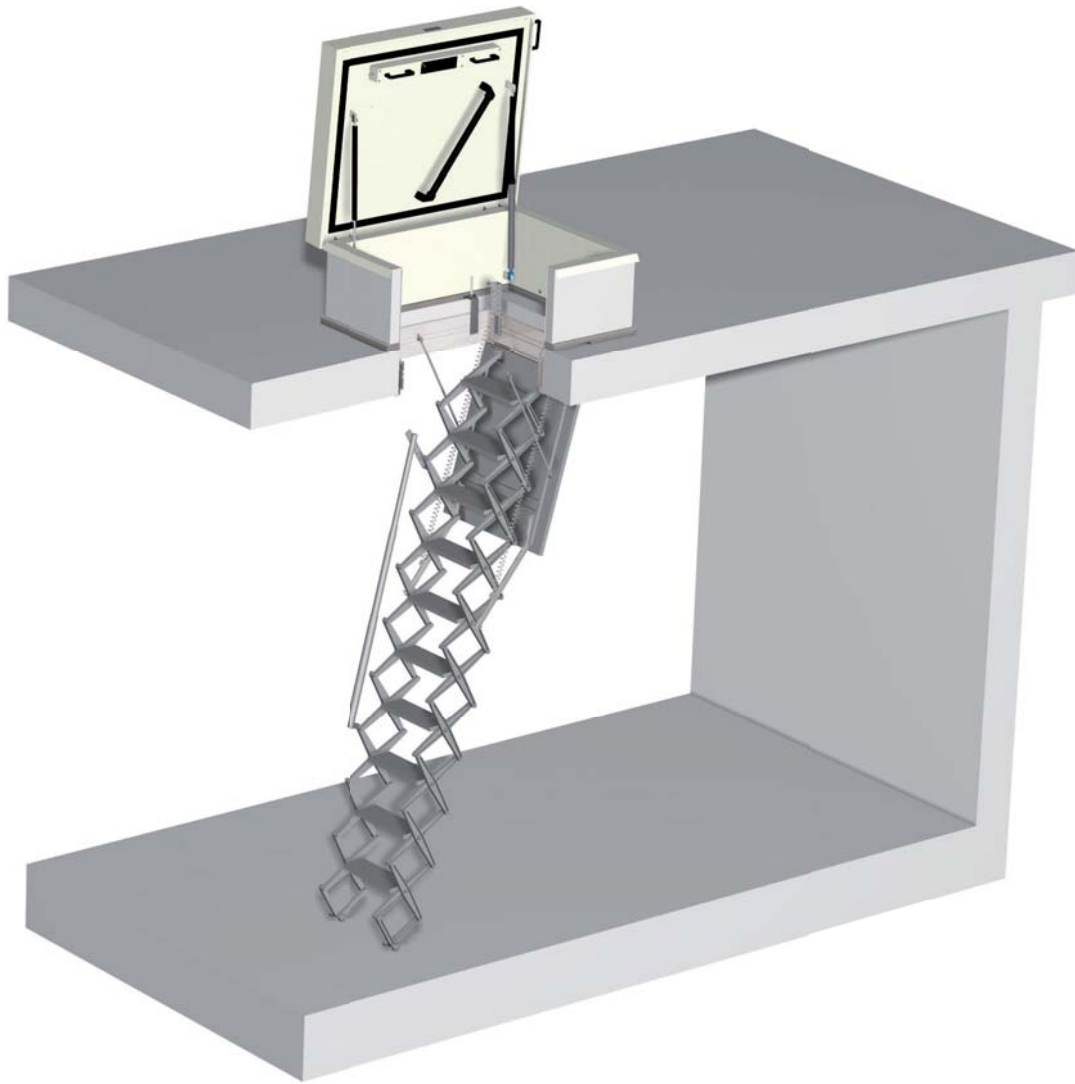
3,000 Pa.

### Surface paint

Powder coating interior and exterior, colour white (RAL 9010).  
Other colours upon request.

### Available with

- Retractable ladder
- Hook-on ladder
- Fixed ladder
- Safety railing



### Specifications

Model

Height of casing

Ceiling height

Steps

Distance between steps

Quality complies with

Retractable ladders fitted with telescopic railing

### Standard retractable ladders

supplied with casing, ceiling hatch, operating eye and operating hook

140 mm

max. 3250 mm

340 x 120 mm, featuring non-slip profile

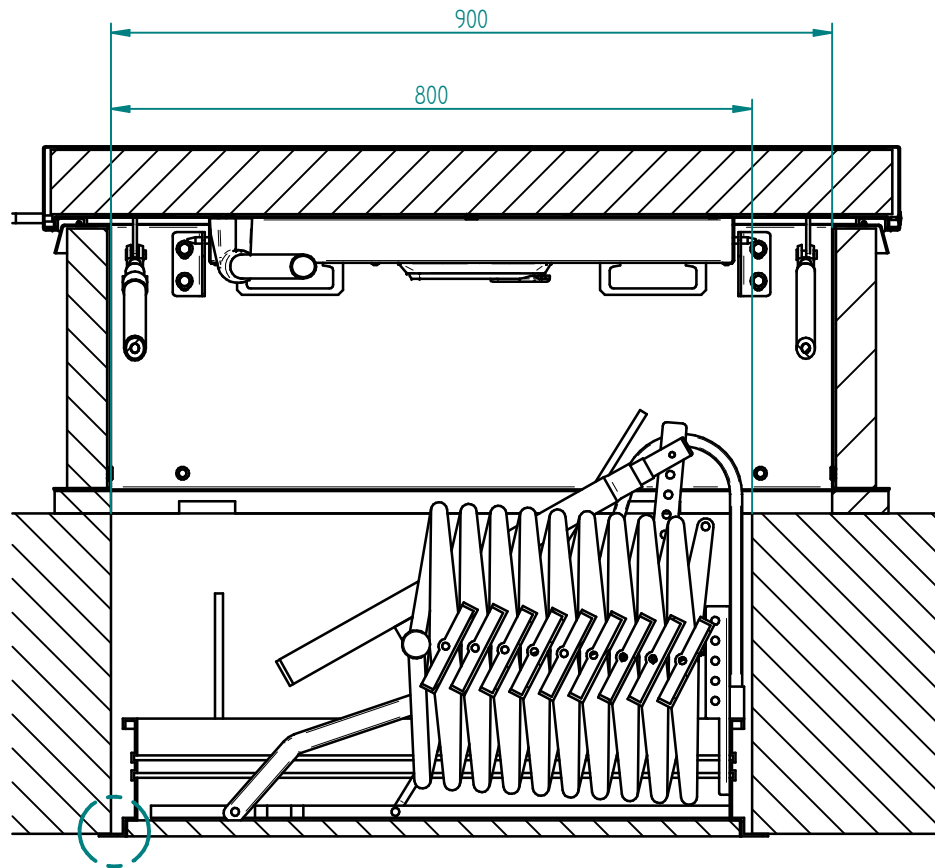
approx. 280 mm, depending upon ceiling height

EN 14975

### Built-in dimensions

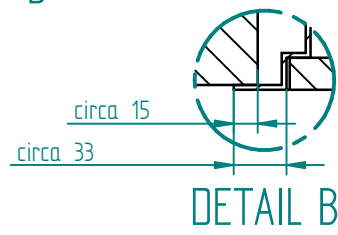
800 x 700 (in combination with DL 97)

Note: The roof thickness (incl. lowered ceiling) must be a minimum of 250 mm, otherwise, you will need to fix the roof access hatch to a newly constructed upstand to ensure that the retractable ladder does not come into contact with the roof access hatch when closed.



Afmeting daksparing : 800x700 mm

B

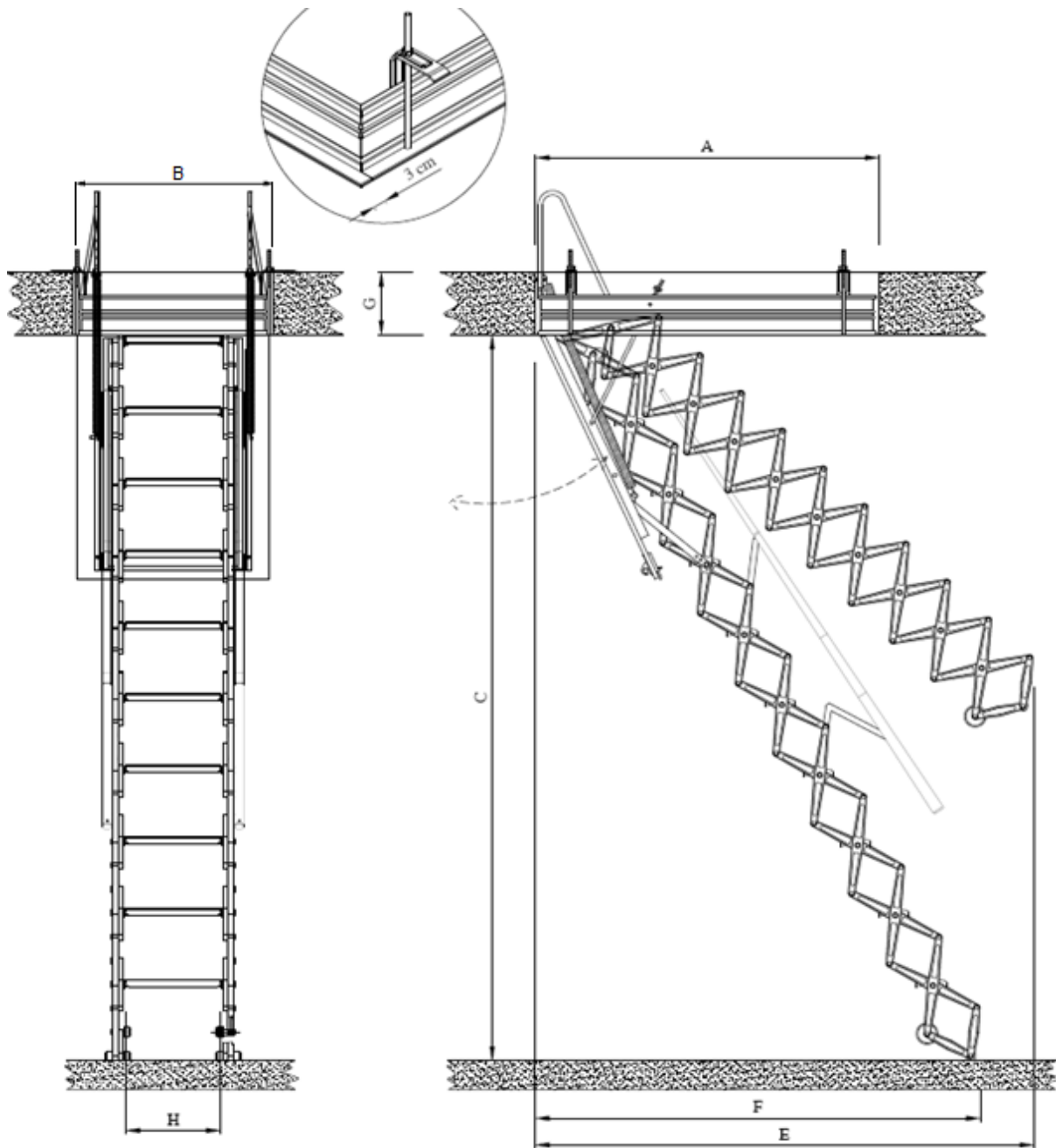


<b>Daar elke toepassing gebaseerd is op de ter plaatse geldende omstandigheden, kunnen aan de gegeven constructies en tekeningen geen rechten worden ontleend.</b>				Oppervlakte	Schaal	Gewicht
					Artikelnummer. <b>20130038</b>	Bladnr. <b>1</b>
H				Datum	Naam	Titel  <b>Samenstelling in plafond</b>
G			Tek.	1-2-2013	jz	
F			Gepr.			
E			Norm			
D			Status		0	
C						<b>Diverse dakluiken</b>
B						
A						
Ref.	Opm.	Datum	Naam	Origi.	Klant	



Gouden Ridderstraat 1  
NL-4903 RD Oosterhout  
Tel:31 162 468950  
Fax:31 162 431132

## Space for retractable ladder



Roof Hatch	Width step H	Depth step
900x700	340	120
1400x700	340	120
1500x900	340	120

Roof Hatch	Roof opening A+B	Ceiling height C	Air space E	Floor space F	Roof G
900x700	800x700	2150-3000	1700	1300	250-350
		3000-3250	1950	1500	250-350
1400x700	1200x700	2150-3000	1700	1300	250-350
		3000-3250	1950	1500	250-350
1500x900	1300x900	2150-3000	1700	1300	250-350
		3000-3250	1950	1500	250-350