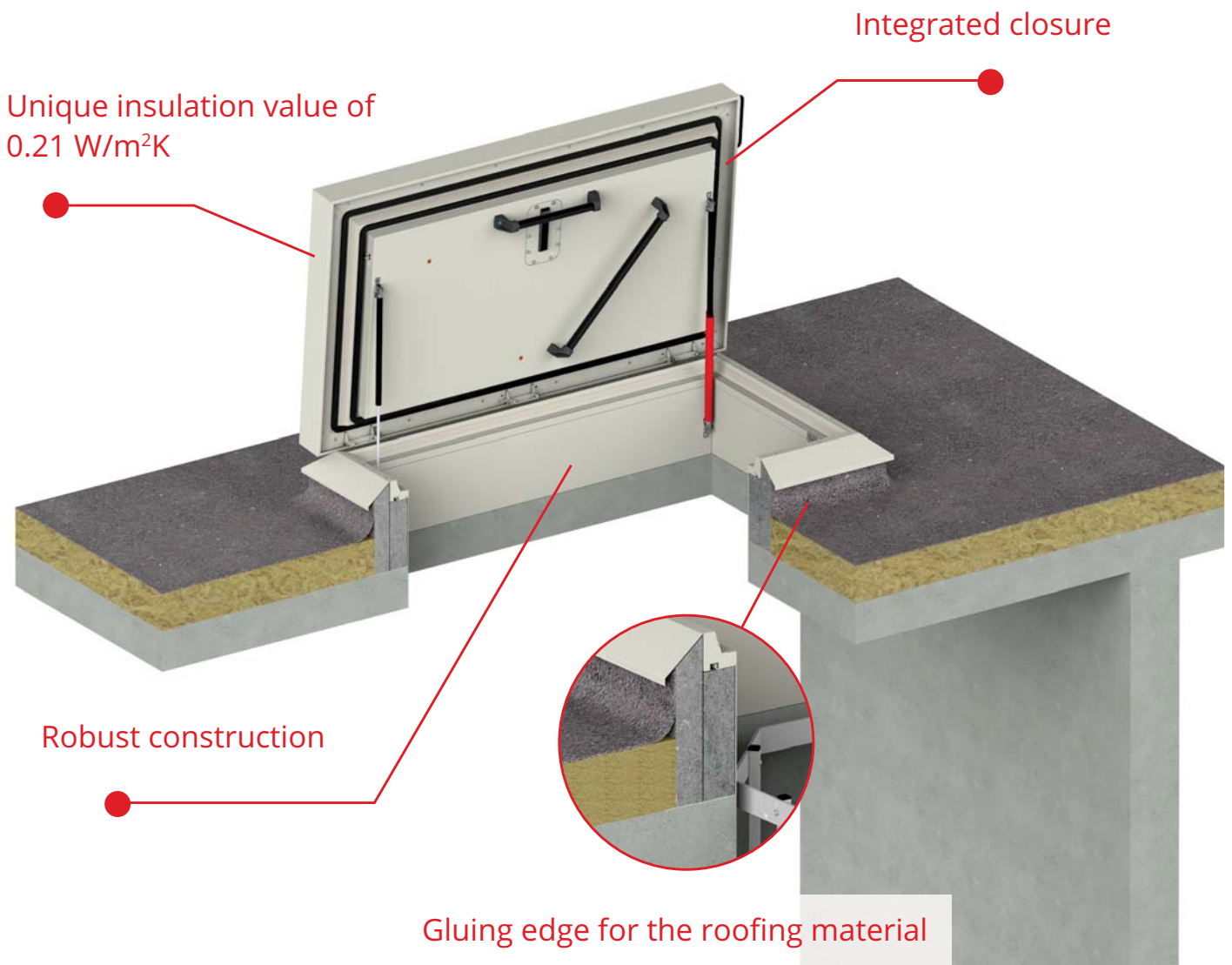


TopAccess roof access hatch



Outstanding safety and insulation

In office buildings and industrial units, you will need a roof access hatch for practicality; from roof inspections to using roof-top equipment. For these jobs, you need quick, safe, and practical access.

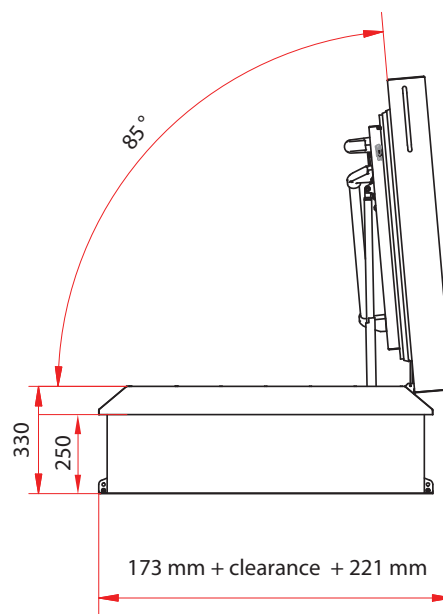
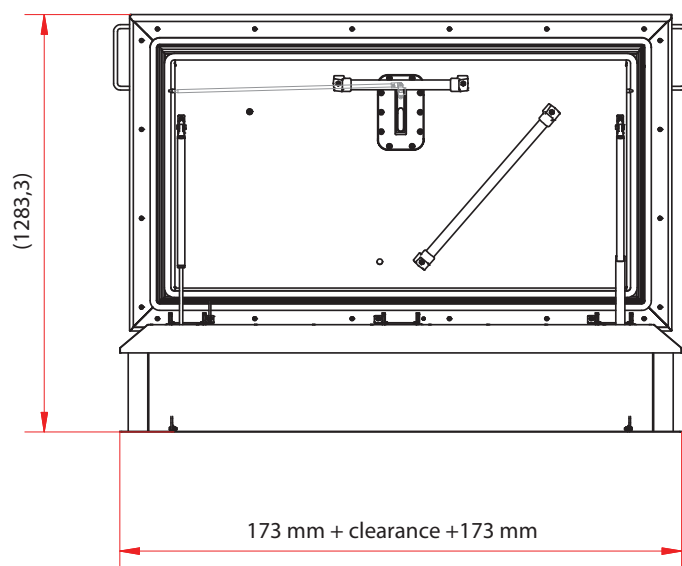
Usage

- Utility building
- Residential construction
- Renovation projects

Benefits

- Unique insulation value of 0.21 W/m²K
- Constructed using high quality materials
- Certified according to the KOMO quality label

TopAccess roof access hatch



Specifications of roof access hatch

Insulation value of roof access hatch	U= 0.21 W/m ² K in accordance with EN-ISO10077-2
Available clearances	900 x 700 – 900 x 900 - 1400 x 700 – 1500 x 900 - 2400 x 900 mm
Required roof opening	900 x 700 – 900 x 900 - 1400 x 700 – 1500 x 900 - 2400 x 900 mm
Material	Stainless steel (AISI 304 or equivalent)
Insulation material	Insulation material with an R-value of 7.22 m ² K/W Fitted with a glass fibre protective top layer Suitable for every type of roofing material
Sound insulation	23 dB in accordance with EN-ISO 10140-1
Wind load	2400 Pa in accordance with EN 12211
Watertightness	750 Pa in accordance with EN 12155
Snow load	950 N/m ² in accordance with EN 1991-1-3
Impact load	0.35 kNm in accordance with EN 1991-1-1
Air permeability	Up to a test pressure of 650 Pa. Pa 0.37 m ³ /h at 10, in accordance with EN 1026
Surface treatment	RAL 9010 powder coating, other colours are available on request.
Closure	Two-point closure with europrofile cylinder, including three keys (interchangeable, 30/10 cylinder)
Operation	Powerful gas pressure springs ensure that the cover can be easily opened and closed. Automatic locking in open position
Safety	Two handles and diagonal handrail on inside of cover for support while accessing and leaving the roof.
Options	Electric control
Application	Maximum pitch of 40 degrees
Certification	TÜV certified
Guarantee	Ten years