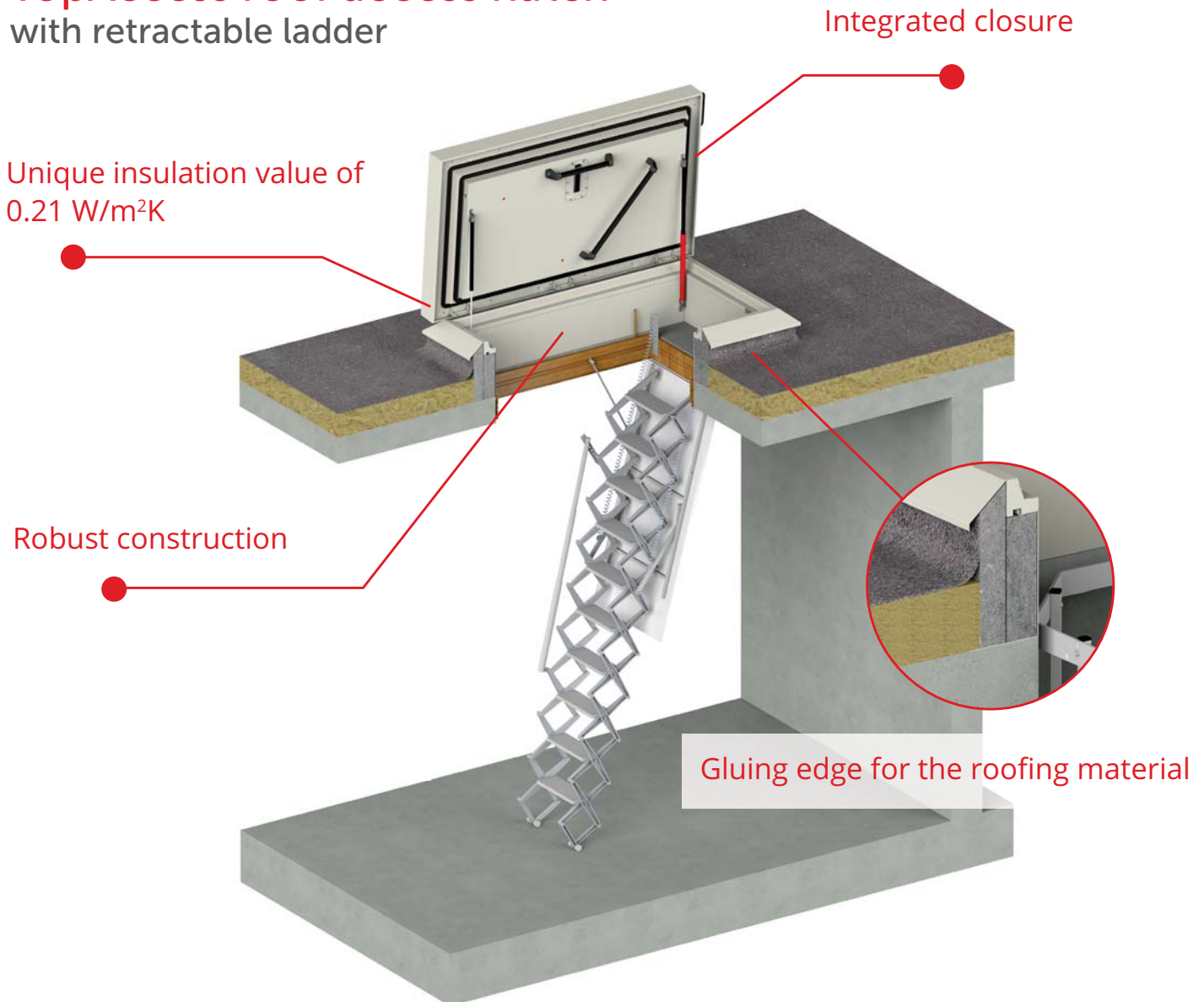


## TopAccess roof access hatch with retractable ladder



### Safe and practical

A roof access hatch with retractable ladder offers a safe and practical solution for accessing your roof. The roof access hatch with retractable ladder acts as an access point to a flat roof for inspection and maintenance.

The retractable ladders are suitable for a maximum ceiling height of 3250 mm.

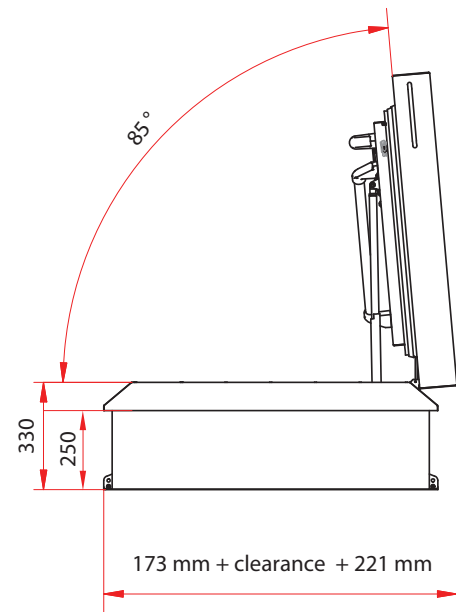
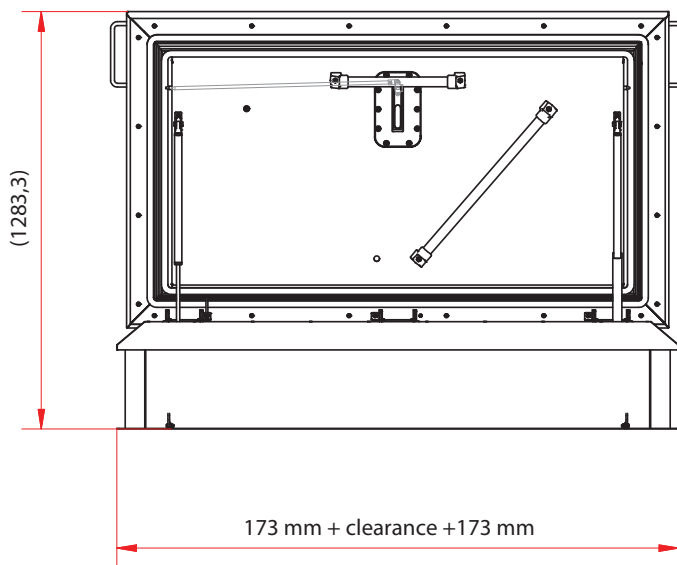
### Usage

- Offices
- Apartments
- Schools

### Benefits

- Unique insulation value of 0.21 W/m<sup>2</sup>K
- Ladder is neatly stored away
- Ceiling retains smooth appearance

# TopAccess roof access hatch with retractable ladder



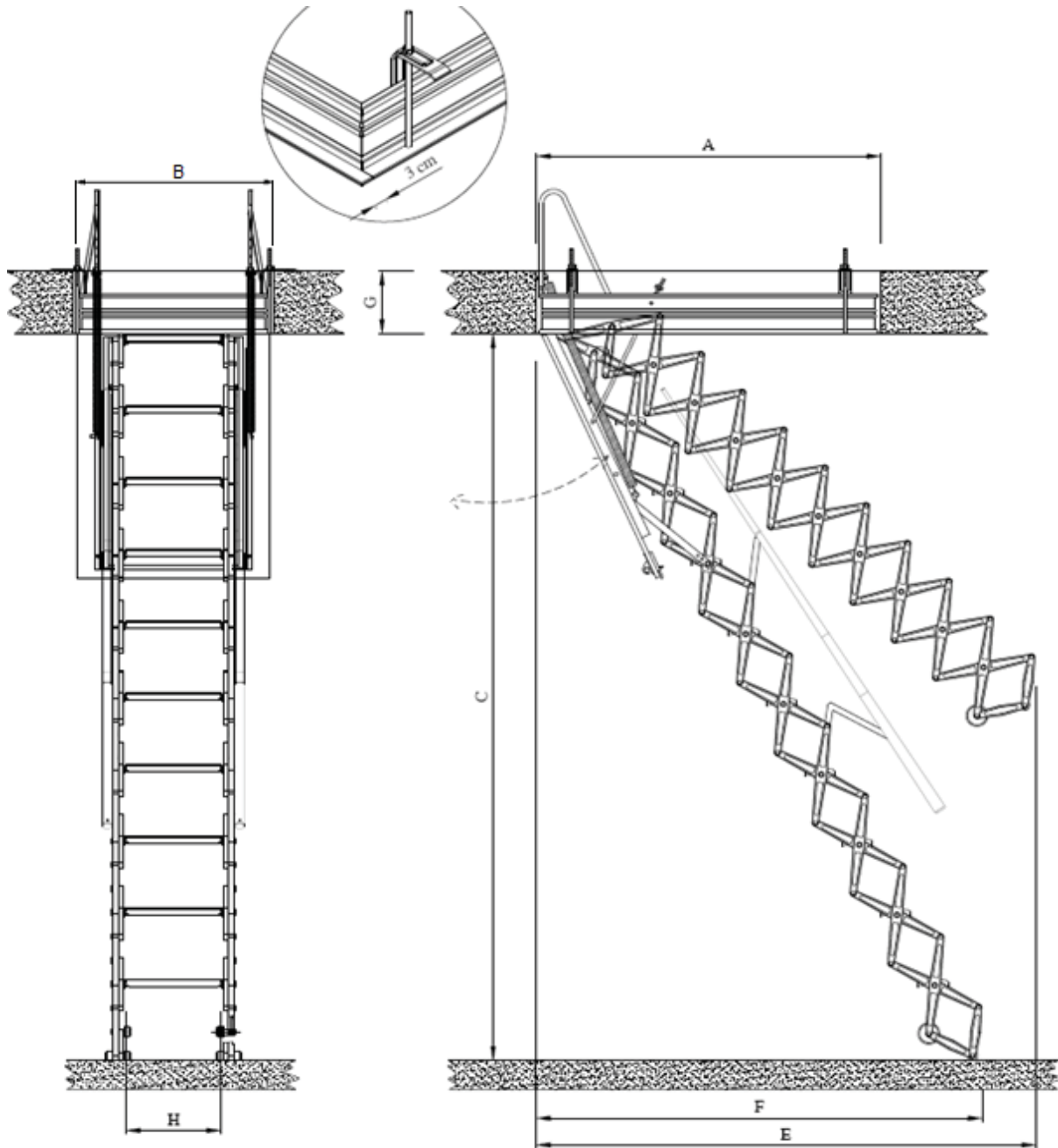
## Specifications of roof access hatch

<b>Insulation value of roof access hatch</b>	U= 0.21 W/m <sup>2</sup> K in accordance with EN-ISO10077-2	<b>Air permeability</b>	Up to a test pressure of 650 Pa. Pa 0.37 m <sup>3</sup> /h at 10, in accordance with EN 1026
<b>Available clearances</b>	900 x 700 – 1400 x 700 – 1500 x 900 mm	<b>Surface treatment</b>	RAL 9010 powder coating, other colours are available on request.
<b>Required roof opening</b>	800 x 700 – 1200 x 700 – 1300 x 900 mm	<b>Closure</b>	Two-point closure with europrofile cylinder, including three keys (interchangeable, 30/10 cylinder)
<b>Material</b>	Stainless steel (AISI 304 or equivalent)	<b>Operation</b>	Powerful gas pressure springs ensure that the cover can be easily opened and closed. Automatic locking in open position
<b>Insulation material</b>	Insulation material with an R-value of 7.22 m <sup>2</sup> K/W Fitted with a glass fibre protective top layer Suitable for every type of roofing material	<b>Safety</b>	Two handles and diagonal handrail on inside of cover for support while accessing and leaving the roof.
<b>Sound insulation</b>	23 dB in accordance with EN-ISO 10140-1	<b>Options</b>	Electric control
<b>Wind load</b>	2400 Pa in accordance with EN 12211	<b>Application</b>	Maximum pitch of 40 degrees
<b>Watertightness</b>	750 Pa in accordance with EN 12155	<b>Certification</b>	TÜV certified
<b>Snow load</b>	950 N/m <sup>2</sup> in accordance with EN 1991-1-3	<b>Guarantee</b>	Ten years
<b>Impact load</b>	0.35 kNm in accordance with EN 1991-1-1		

## Specifications for retractable ladder

<b>Quality</b>	Conforms with EN 14975
<b>Model</b>	Completely assembled, including ceiling hatch and operating pole
<b>Required roof opening</b>	See specifications for roof access hatch.
<b>Ceiling height</b>	Maximum 3250 mm
<b>Installation</b>	Can be built into roofs with a minimum roof thickness of 250 mm. If the roof is thinner, we recommend mounting the roof access hatch on an architectural upstand.
<b>Height of hatch box</b>	140 mm
<b>Ladder steps</b>	Equipped with anti-slip profile (dimensions: 340 x 120 mm)
<b>Distance between steps</b>	± 280 mm, depending on the ceiling height
<b>Safety</b>	Equipped with a telescopic handrail for support while accessing the roof.
<b>Step materials</b>	Aluminium
<b>Ceiling hatch material</b>	Wood, untreated

## Space for retractable ladder



Roof Hatch	Width step	Depth step
	H	
900x700	340	120
1400x700	340	120
1500x900	340	120

Roof Hatch	Roof opening	Ceiling height	Air space	Floor space	Roof
	A+B	C	E	F	G
900x700	800x700	2150-3000	1700	1300	250-350
		3000-3250	1950	1500	250-350
1400x700	1200x700	2150-3000	1700	1300	250-350
		3000-3250	1950	1500	250-350
1500x900	1300x900	2150-3000	1700	1300	250-350
		3000-3250	1950	1500	250-350