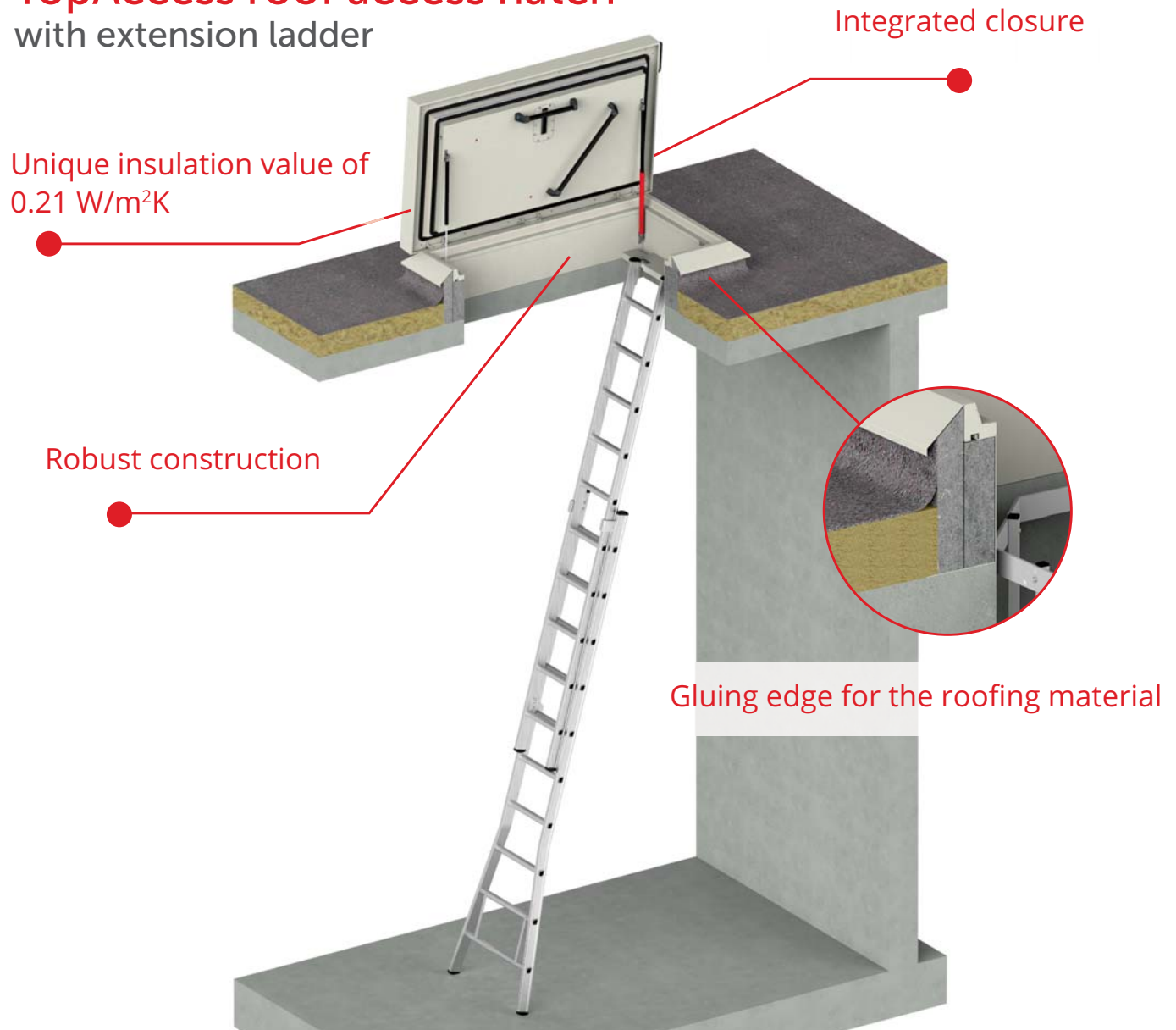


## TopAccess roof access hatch with extension ladder



### Simple and safe

A roof access hatch with extension ladder offers a simple and safe solution for accessing your roof. If you need to access the roof to perform inspections or repairs, you can hook a separate extension ladder on to the upstand of the roof access hatch. This solution is suitable for heights up to ten metres and can be combined with every type of roof access hatch.

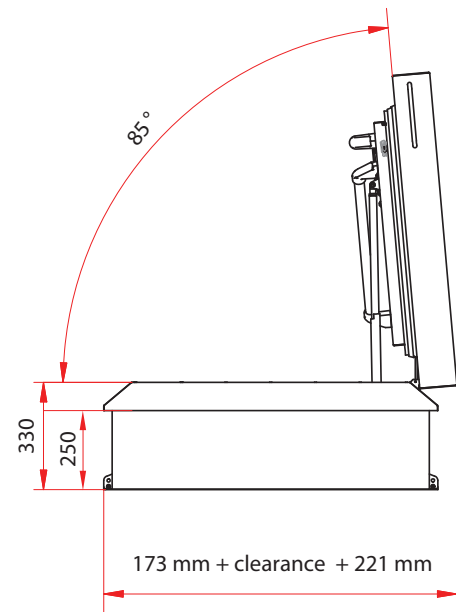
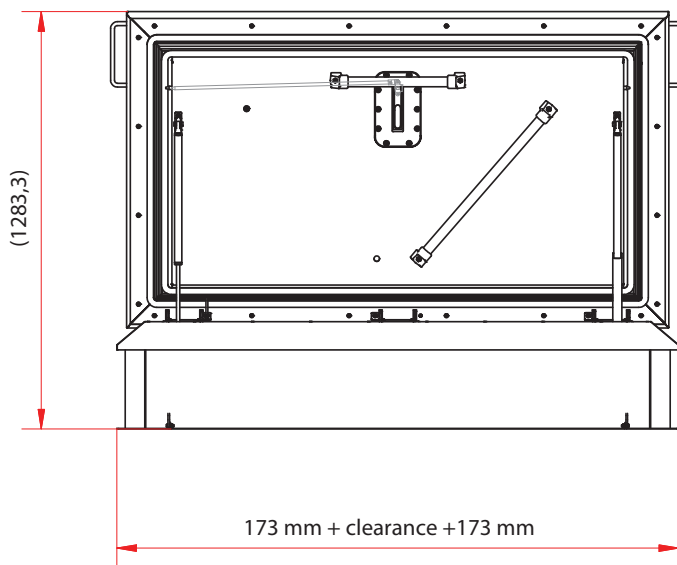
### Usage

- Industrial buildings
- Distribution centres
- Apartment blocks

### Benefits

- Unique insulation value of 0.21 W/m<sup>2</sup>K
- For all heights and sizes
- Low purchasing costs

# TopAccess roof access hatch with extension ladder



## Specifications of roof access hatch

<b>Insulation value of roof access hatch</b>	U= 0.21 W/m <sup>2</sup> K in accordance with EN-ISO10077-2	<b>Air permeability</b>	Up to a test pressure of 650 Pa. Pa 0.37 m <sup>3</sup> /h at 10, in accordance with EN 1026
<b>Available clearances</b>	900 x 700 - 900 x 900 - 1400 x 700 - 1500 x 900 - 2400 x 900 mm	<b>Surface treatment</b>	RAL 9010 powder coating, other colours are available on request.
<b>Required roof opening</b>	900 x 700 - 900 x 900 - 1400 x 700 - 1500 x 900 - 2400 x 900 mm	<b>Closure</b>	Two-point closure with europrofile cylinder, including three keys (interchangeable, 30/10 cylinder)
<b>Material</b>	Stainless steel (AISI 304 or equivalent)	<b>Operation</b>	Powerful gas pressure springs ensure that the cover can be easily opened and closed. Automatic locking in open position
<b>Insulation material</b>	Insulation material with an R-value of 7.22 m <sup>2</sup> K/W Fitted with a glass fibre protective top layer Suitable for every type of roofing material	<b>Safety</b>	Two handles and diagonal handrail on inside of cover for support while accessing and leaving the roof.
<b>Sound insulation</b>	23 dB in accordance with EN-ISO 10140-1	<b>Options</b>	Electric control
<b>Wind load</b>	2400 Pa in accordance with EN 12211	<b>Application</b>	Maximum pitch of 40 degrees
<b>Watertightness</b>	750 Pa in accordance with EN 12155	<b>Certification</b>	TÜV certified
<b>Snow load</b>	950 N/m <sup>2</sup> in accordance with EN 1991-1-3	<b>Guarantee</b>	Ten years
<b>Impact load</b>	0.35 kNm in accordance with EN 1991-1-1		

## Ladder specifications

<b>Quality</b>	Complies with EN 131
<b>Material</b>	High quality lightweight aluminium
<b>Required roof opening</b>	See specifications for roof access hatch
<b>Storey height</b>	Maximum of 10000 mm
<b>Safety</b>	The large width and ergonomic design of the rungs, arranged in a horizontal position during use, ensure your safety and stability.

## Designs

Rungs	Length (retracted)	Length (retracted)
2x8	2470 mm	4150 mm
2x10	3030 mm	5250 mm
2x12	3600 mm	6100 mm
2x14	4160 mm	7250 mm
2x16	4720 mm	8350 mm
3x8	2470 mm	5850 mm
3x10	3040 mm	7000 mm
3x12	3600 mm	8650 mm
3x14	4170 mm	10050 mm
3x16	4730 mm	11450 mm

# TopAccess roof access hatch with extension ladder

---

## Options



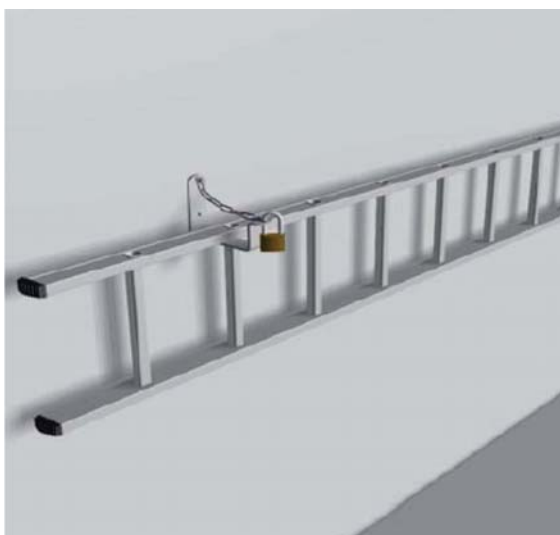
### SafeStepSystem

The ladder is fitted with hooks for connecting to a fixed step, which can easily be attached to the upstand of the roof hatch. The anchoring points are already present and the anchoring materials are supplied together with your order.



### Security system

The ladder can be secured against theft or removal while in use by means of a lock (incl. key) fitted onto the ladder.



### Mounting system

After use, the ladder can be hung against the wall using two wall brackets, with the option of securing the ladder in place with a chain and padlock (incl. keys).