

### Material

Stainless steel (AISI 304 or equivalent).

### Dimensions

1400 x 700 mm clear width  
Longest side = hinged side  
Upstand: 330 mm

### Insulation

Hard foam approx. 50 mm thick along the outside of the upright edge and approx. 80 mm thick in the cover itself.

### Rc value insulation

Inside cover Rc = 3.81 (m<sup>2</sup>K/W)

### Closure mechanism

Two-point closing mechanism with euro cylinder lock and three keys.

### Gas springs

Make it easy to open and close the hatch cover and automatically secure the hatch when open.

### Windproof and waterproof

EN 1026 / EN 12155: 650 Pa  
With neoprene rubber between the upright edge and cover.

### Maximum load

Up to approx. 4.800 kg/m<sup>2</sup>

### Safety features

Three handles and diagonal railing on inside of cover.

### Structural strength

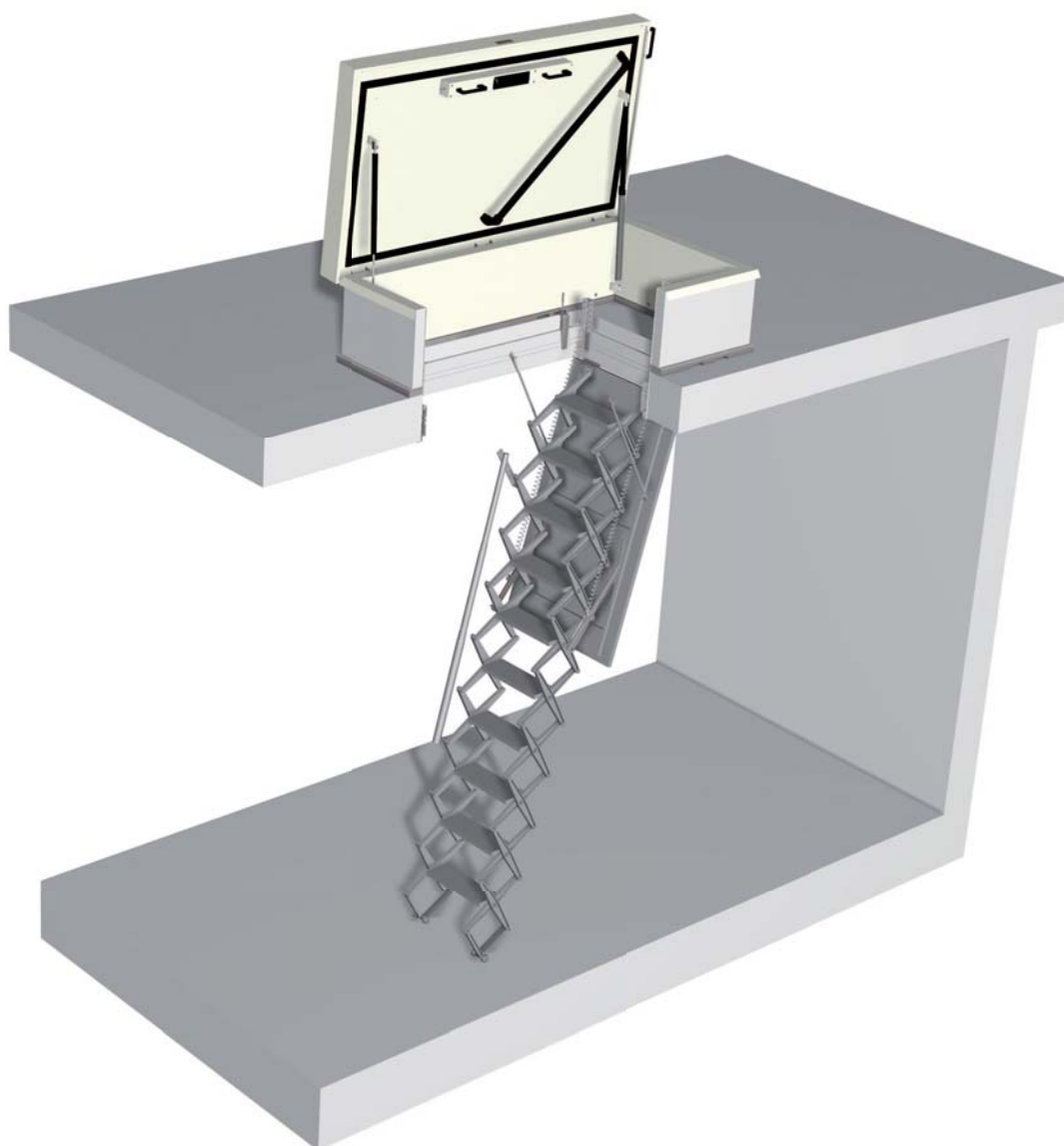
3,000 Pa.

### Surface paint

Powder coating interior and exterior, colour white (RAL 9010).  
Other colours upon request.

### Available with

- Retractable ladder
- Hook-on ladder
- Fixed ladder
- Fixed stair
- Safety railing



### Specifications

Model

Height of casing

Ceiling height

Steps

Distance between steps

Quality complies with

Retractable ladders fitted with telescopic railing

### Standard retractable ladders

supplied with casing, ceiling hatch, operating eye and operating hook

140 mm

max. 3250 mm

340 x 120 mm, featuring non-slip profile

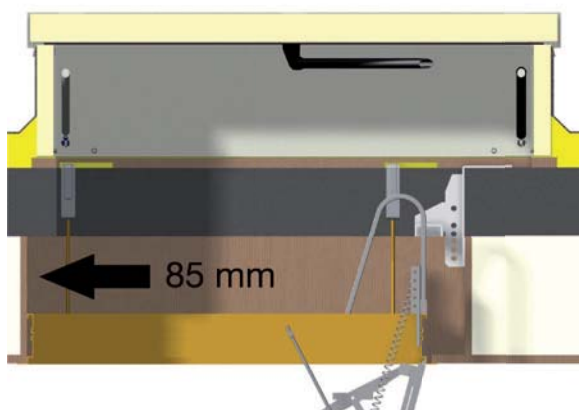
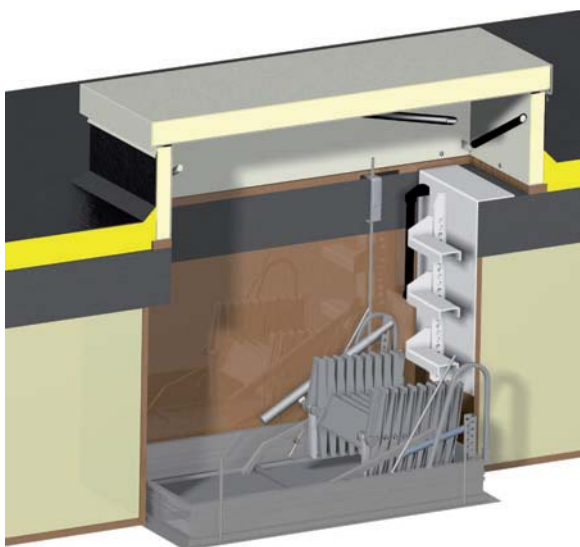
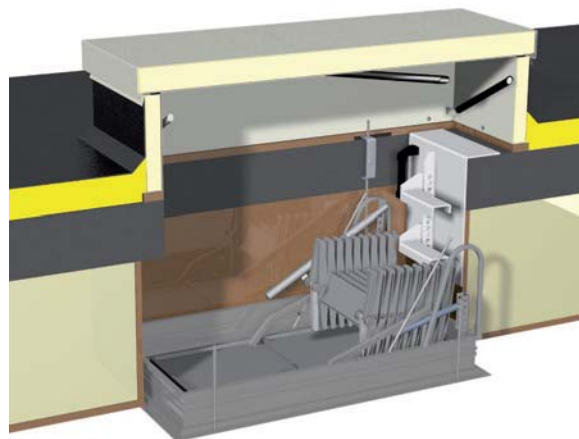
approx. 280 mm, depending upon ceiling height

EN 14975

### Built-in dimensions

1200 x 700 (in combination with DL 147)

Note: The roof thickness (incl. lowered ceiling) must be a minimum of 250 mm, otherwise, you will need to fix the roof access hatch to a newly constructed upstand to ensure that the retractable ladder does not come into contact with the roof access hatch when closed.



### Stair construction for bridging the distance between the ceiling and the roof (plenum)

High-quality aluminium.

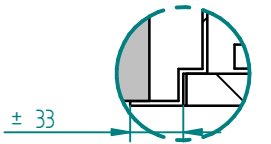
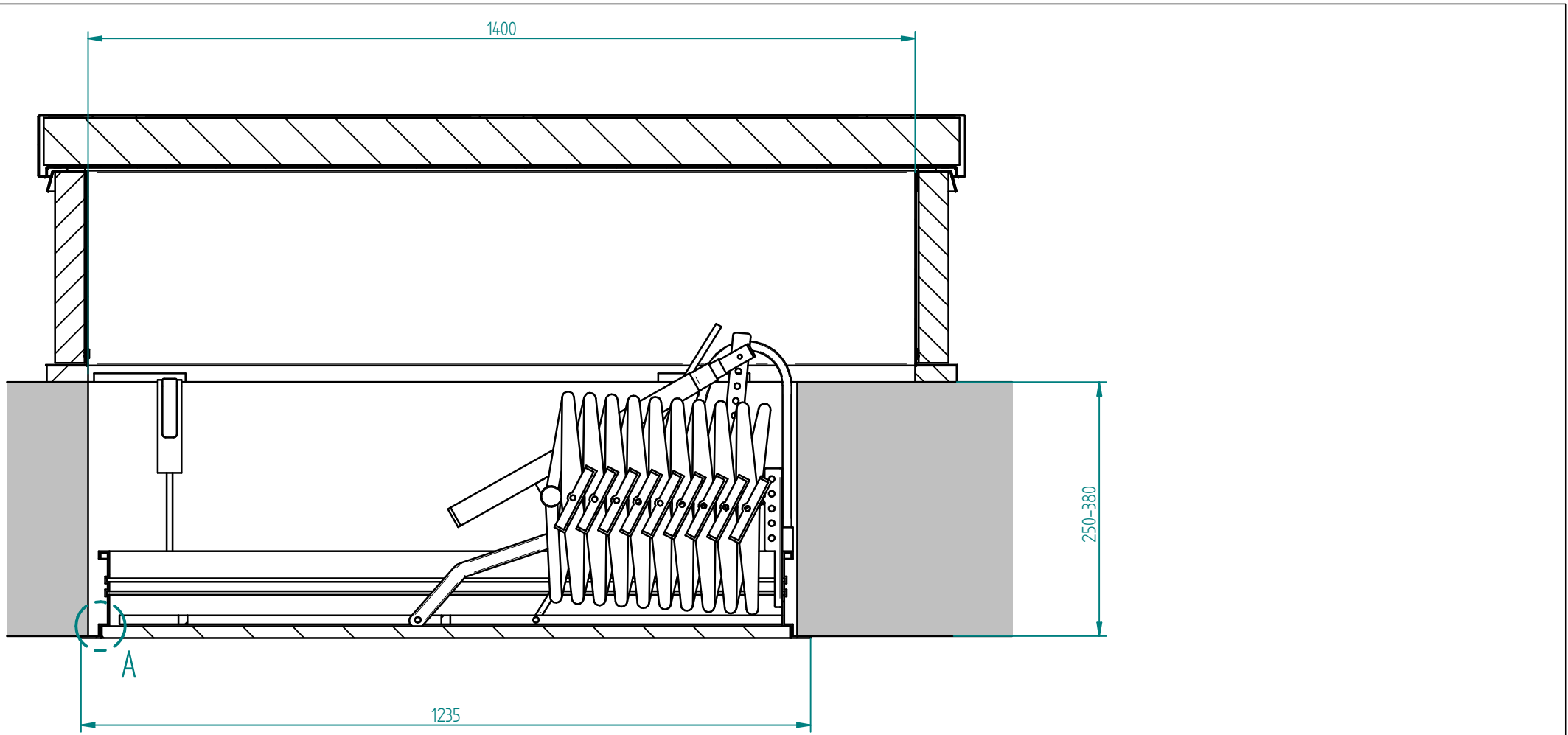
Simple installation on the roof.

Available with one or more steps.

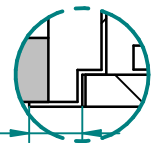
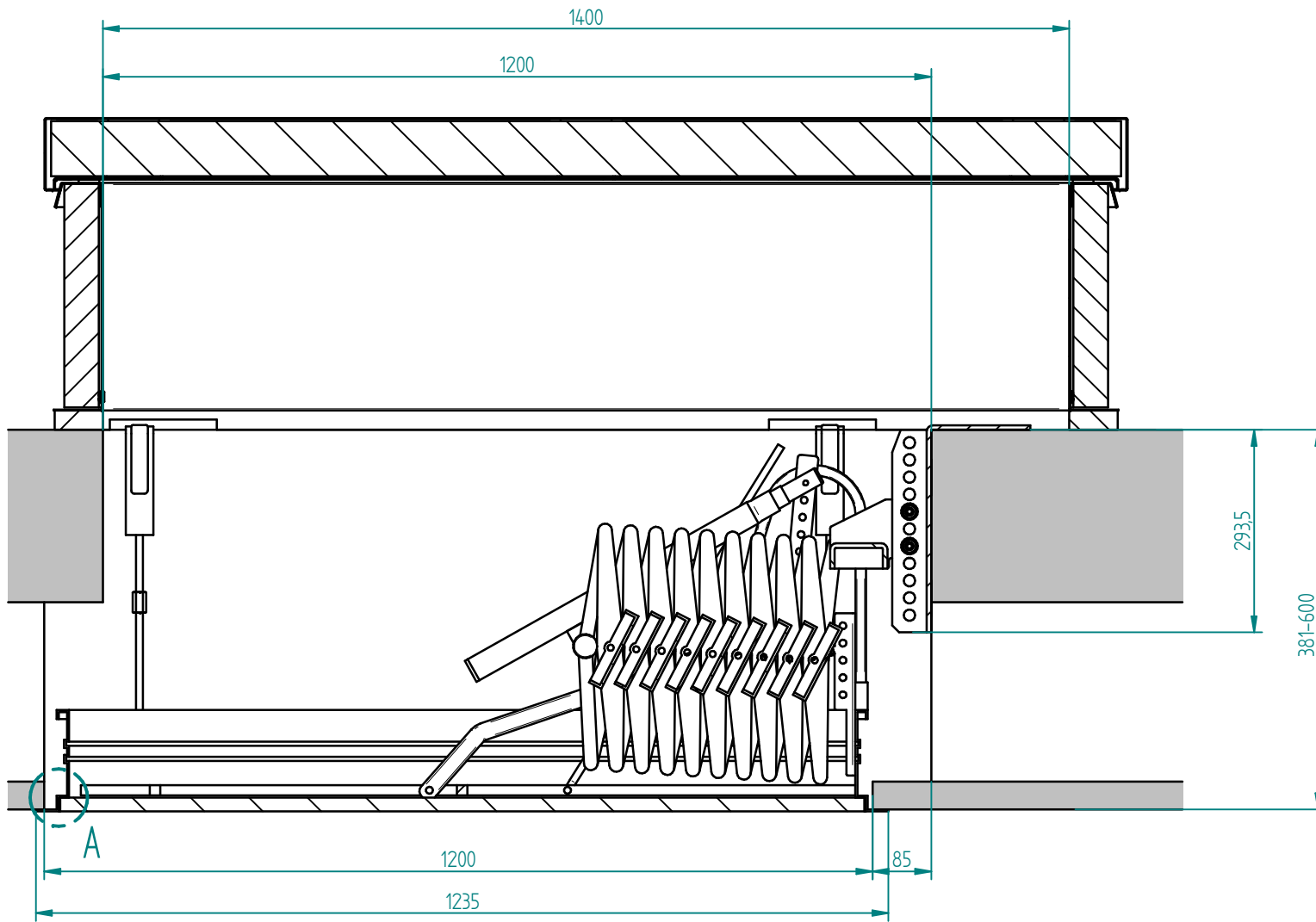
Anti-slip steps, height adjustable.

With a pre-mounted handrail (for two or more steps).

Only suitable for roof access hatch 1400 x 700 with retractable ladder 1200 x 700.

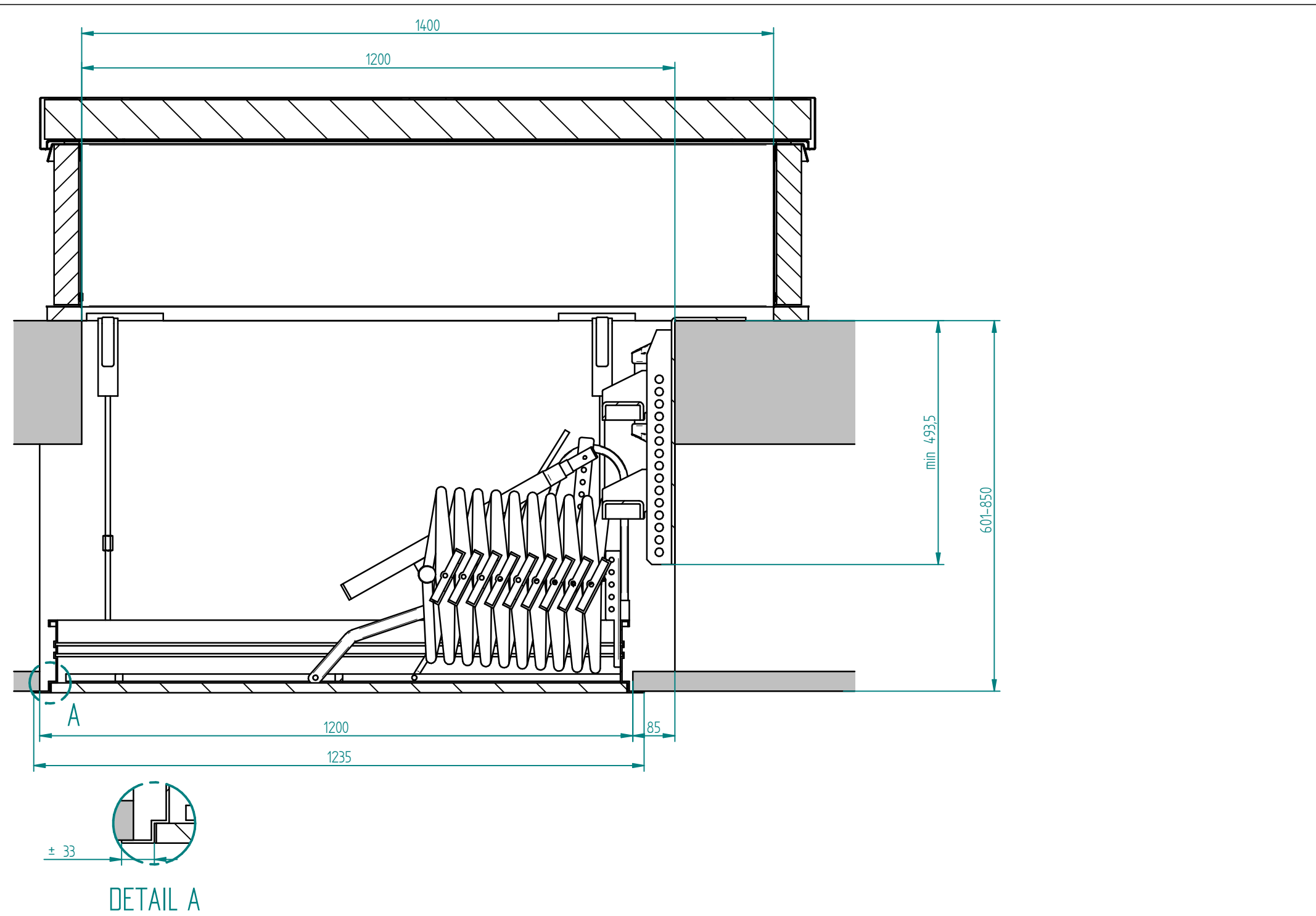


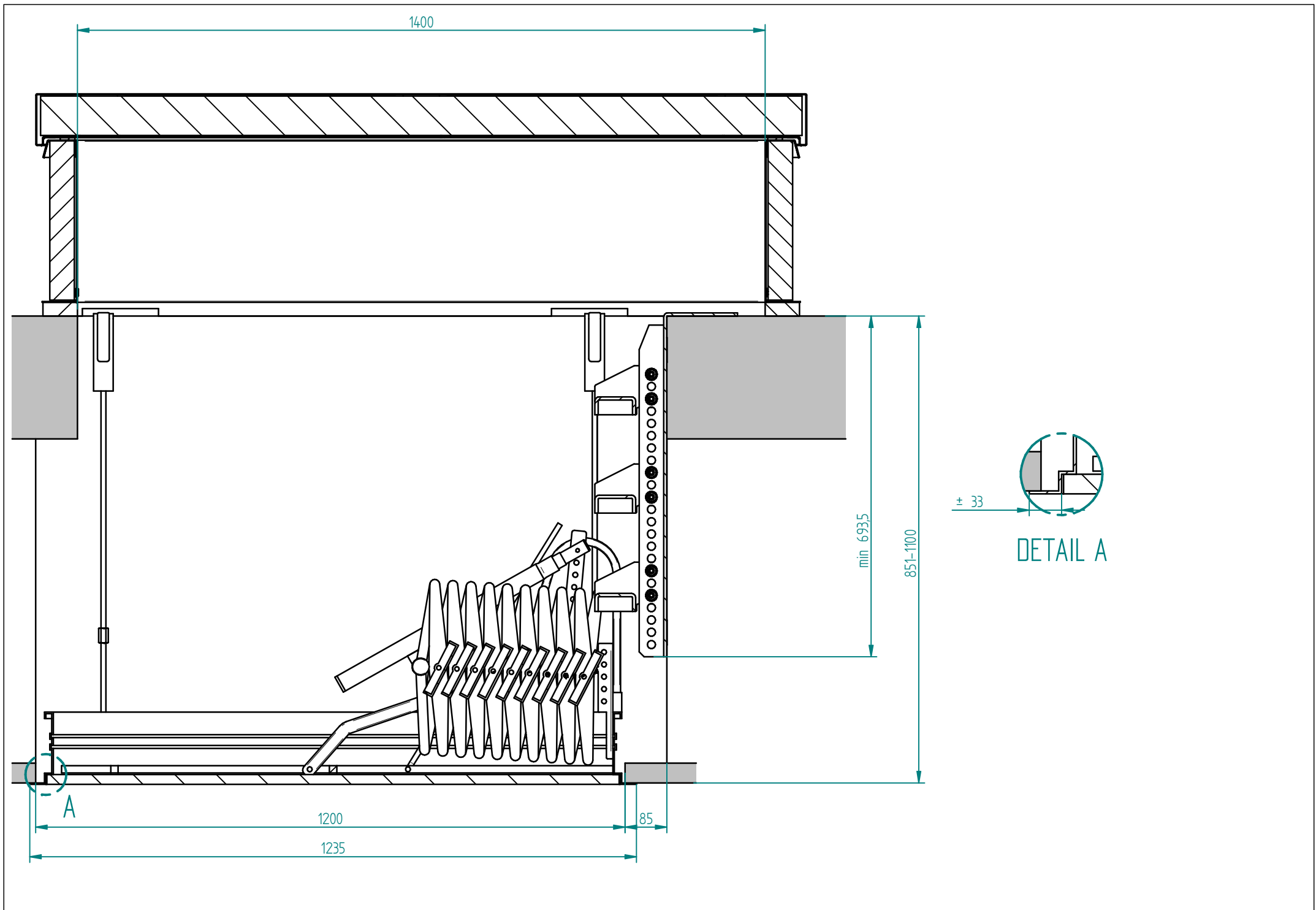
DETAIL A



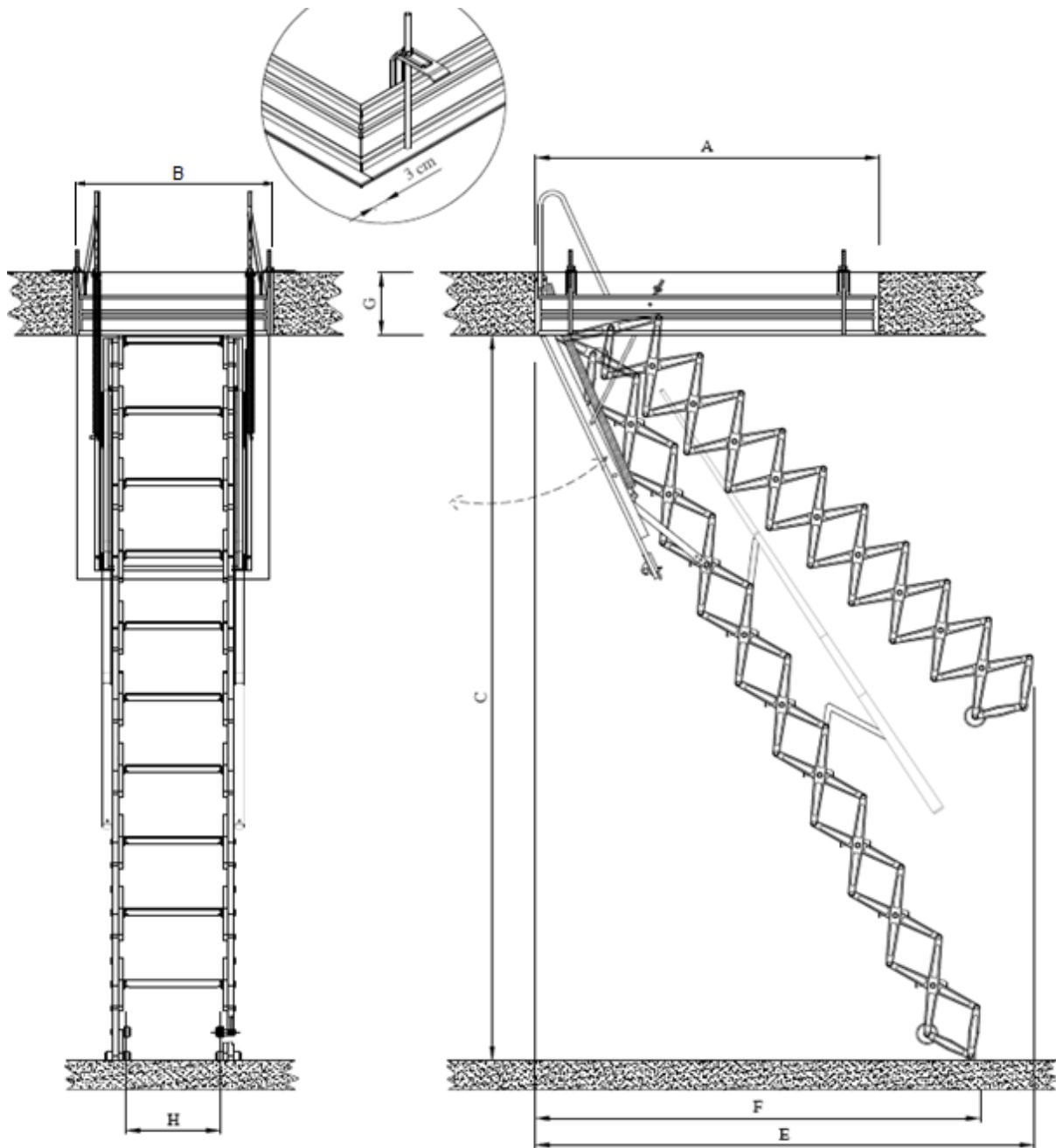
$\pm 33$

DETAIL A





## Space for retractable ladder



Roof Hatch	Width step H	Depth step
900x700	340	120
1400x700	340	120
1500x900	340	120

Roof Hatch	Roof opening A+B	Ceiling height C	Air space E	Floor space F	Roof G
900x700	800x700	2150-3000	1700	1300	250-350
		3000-3250	1950	1500	250-350
1400x700	1200x700	2150-3000	1700	1300	250-350
		3000-3250	1950	1500	250-350
1500x900	1300x900	2150-3000	1700	1300	250-350
		3000-3250	1950	1500	250-350